

# PR100 Outside Roof - Installation Guide



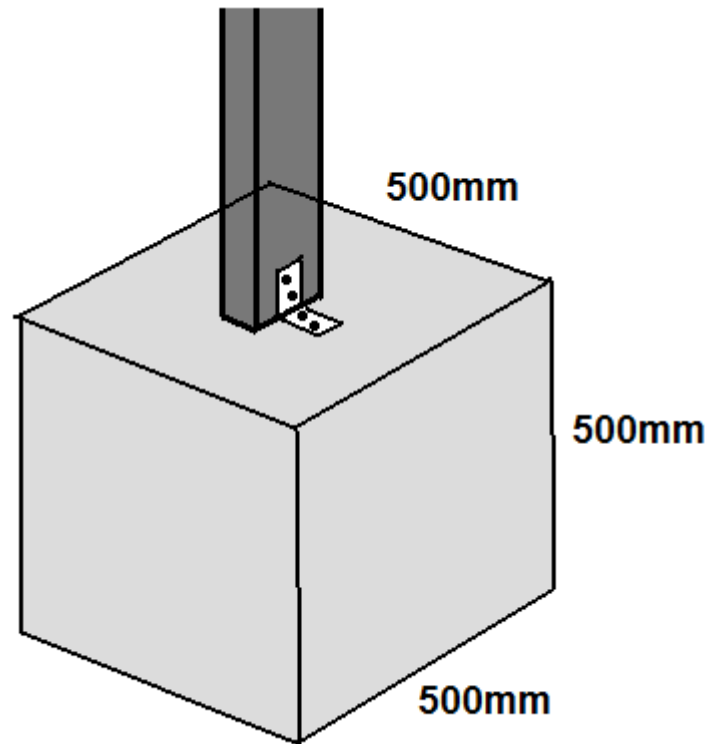
Thank you for purchasing this Reynaers PR100 Outside Roof.

The following guide's aim is to assist you in understanding the parts and methods required for a satisfactory installation.

If you encounter any issues during your installation, please do not hesitate to contact our service department directly on 0203 167 0445.

Prior to assembly of this roof system, it is highly advisable that a suitable concrete foundation or 'footing' has been previously prepared for the supports posts to be anchored to.

Suggested detail for this:-



## **RECOMENDED TOOLS REQUIRED:-**

Step ladders/Scaffold tower or similar suitable platform

Trestles or suitable working table/bench

Suitable mains/cordless drill

Suitable fixings for masonry/substrate

Masonry & HSS drill bits according to fixings being used

Spirit Level

Tape Measure

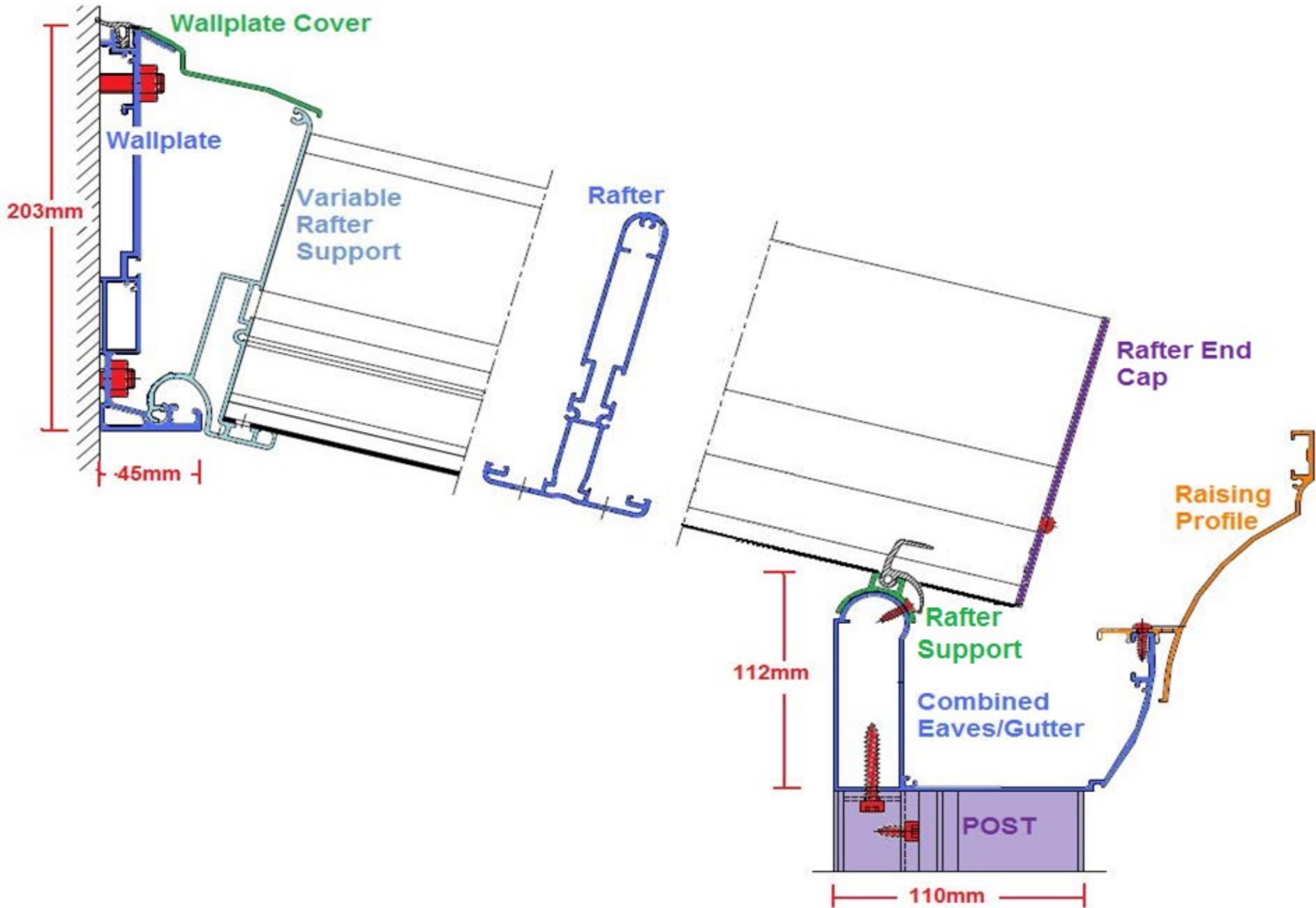
Long 10mm socket or 10mm ring spanner

Phillips screwdriver or drill/driver attachment

5mm Allen key

50mm Metal Hole cutter for gutter spigot/outlet

# ROOF PARTS IDENTIFIER:-



## ROOF PARTS:-

Carefully unwrap each package of material and check that you have at least the following before you continue:-

1 x Wallplate assembly

1 x Variable Rafter Support

1 x Wallplate Cover

1 x Eaves Beam/Gutter assembly

1 x Eaves Rafter Support

1 x Raising Profile

2 x End Rafters

(Number according to quote) x Intermediate Rafters

(Number according to quote) x Support Posts & Covers

There will also be associated Beads & Gaskets, plus a separate box of accessories.

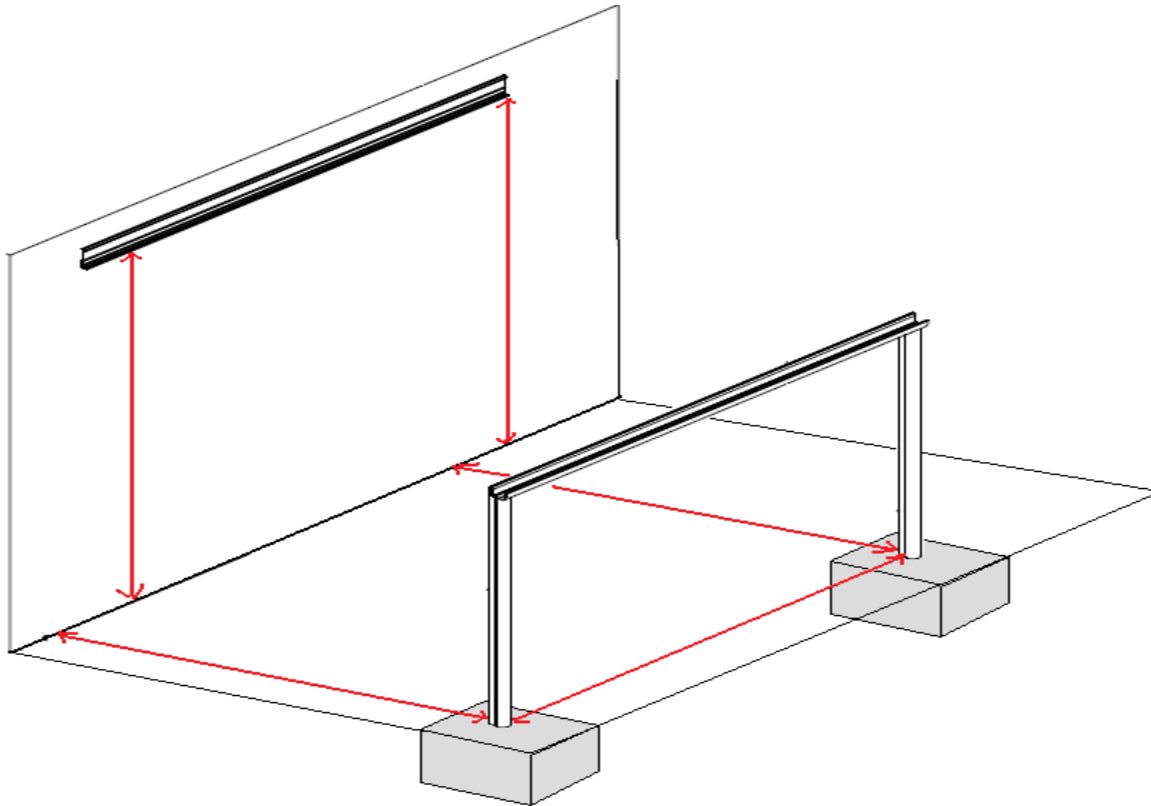
If any of the parts required to complete your supplied roof appear to be missing, please report to our Customer Service Team on 0203 167 0445

## PREPARATION FOR INSTALLATION:-

Using the dimensions of your quotation, It is advisable to mark out the following prior to starting roof assembly :-

Wallplate height – to underside of Wallplate

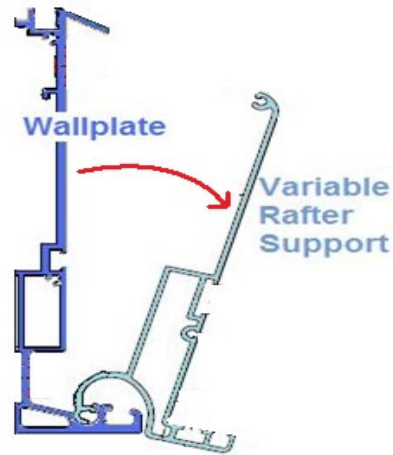
Support Post positions – House to back of Support Post and Support Post to post



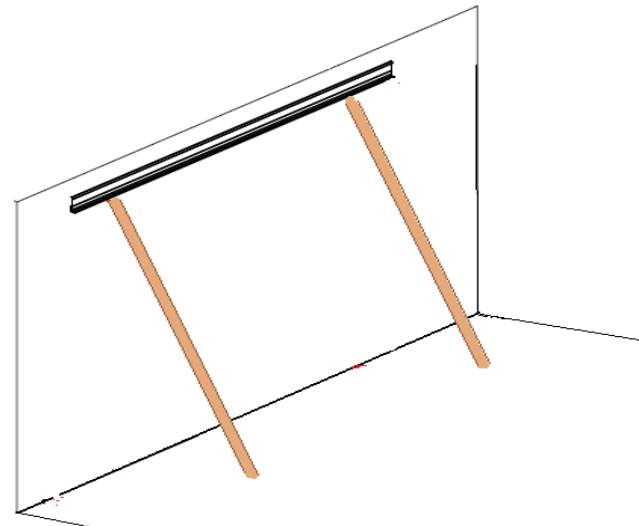
Marking these positions will help when fixing parts to building or foundations.

## WALLPLATE INSTALLATION:-

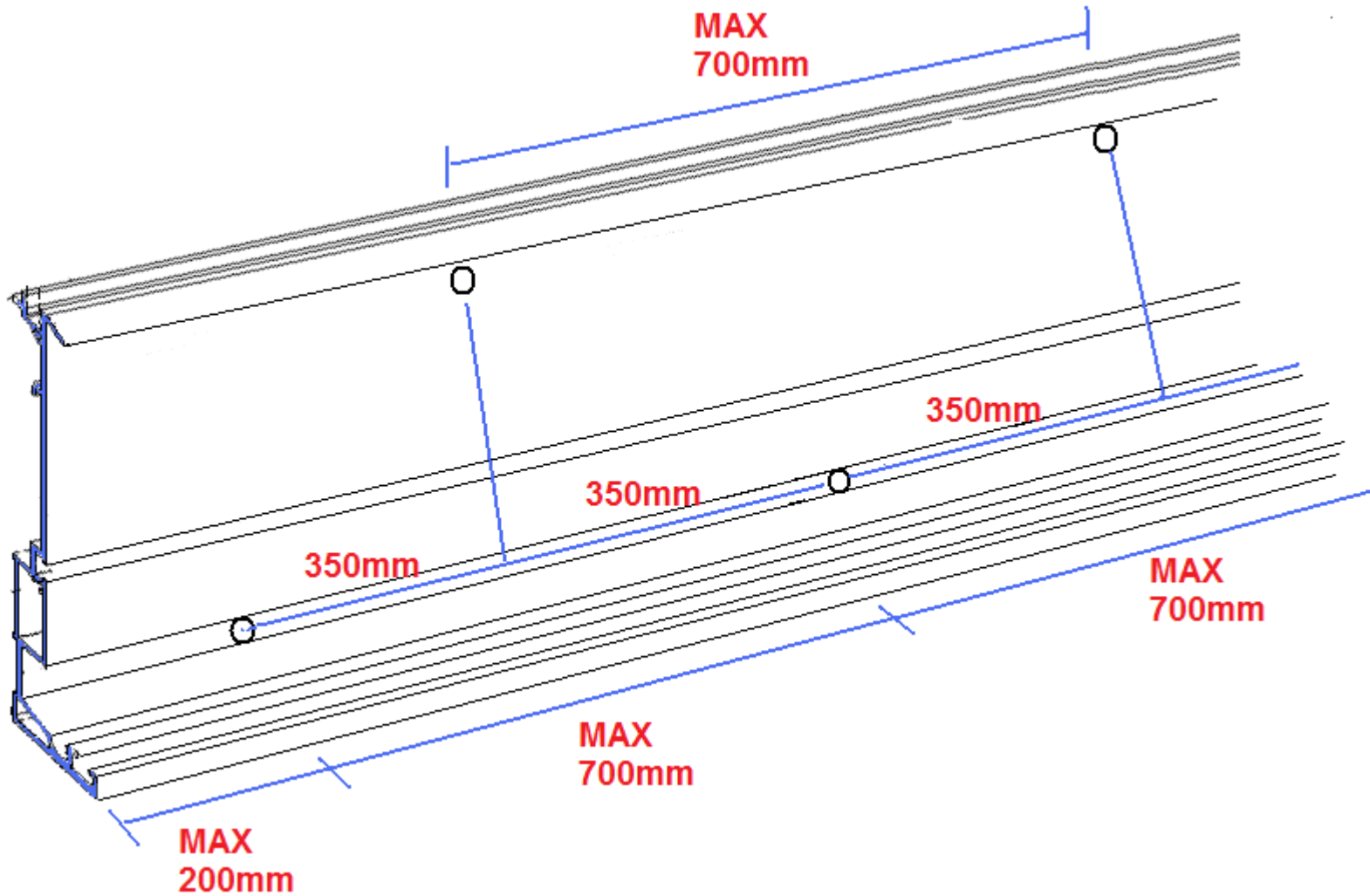
1, Remove the **Variable Rafter Support** from the **Wallplate** by pulling towards yourself, it should then come free and be placed safely to one side until required:-



Then, preferably with assistance, support the **Wallplate** at the required height & position on the building and check for level :-



2, Pilot drill the [Wallplate](#) in positions shown below at suitable centres to suit the fixings being used:-





**3,** Use a suitable masonry drill (if brick, block or concrete) or wood drill (if timber, plastic) drill holes at an appropriate depth for the fixings being used.

**4,** Fix the **Wallplate** to the substrate along its entire length.

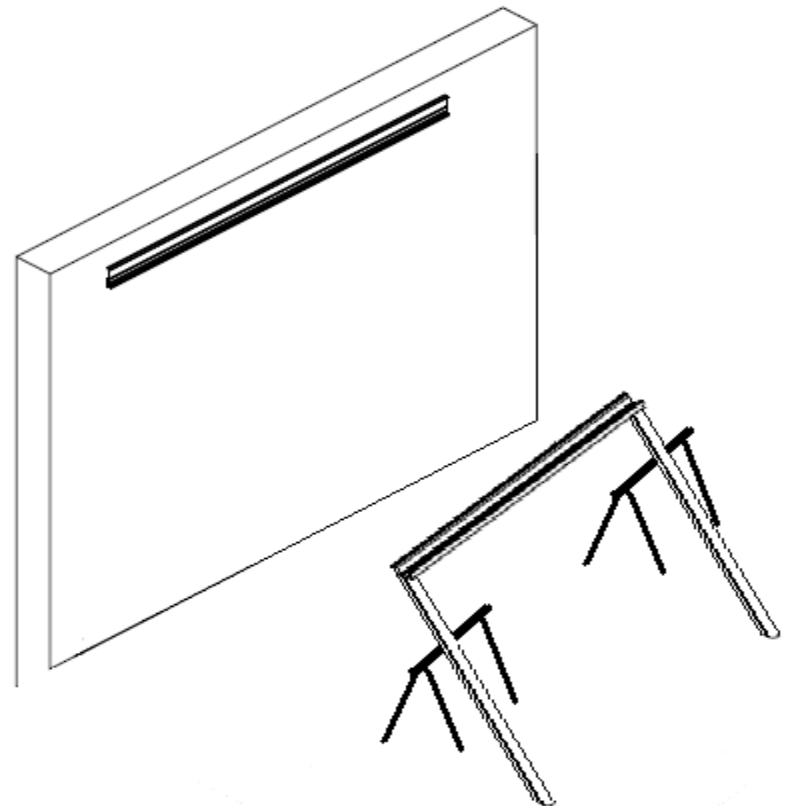
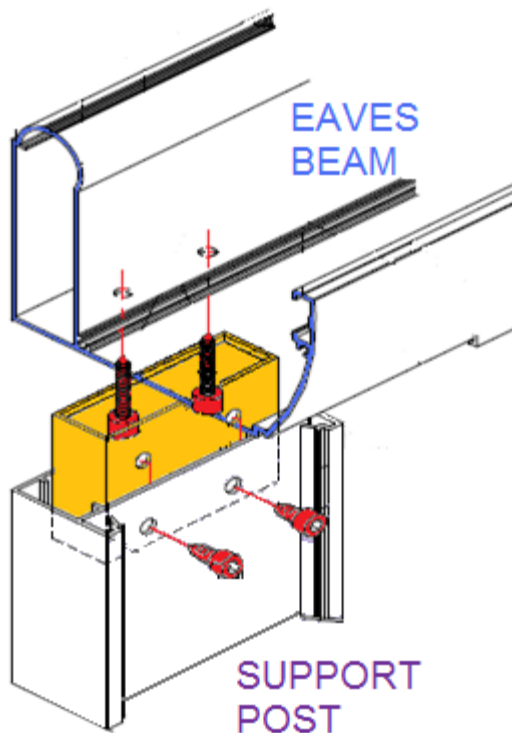
Note:- Over tightening the fixings on an un-even substrate may cause distortion of the **Wallplate** – a simple check would be ‘eyeing’ up from one end, if there is distortion in the **Wallplate** it will almost certainly affect the installation of the **Variable Rafter Support** and the weatherproofing of the **Wallplate Cover Seal**, to rectify this, back off the fixing’s at any points and pack as required until straight .

## EAVES/GUTTER & POST ASSEMBLY:-

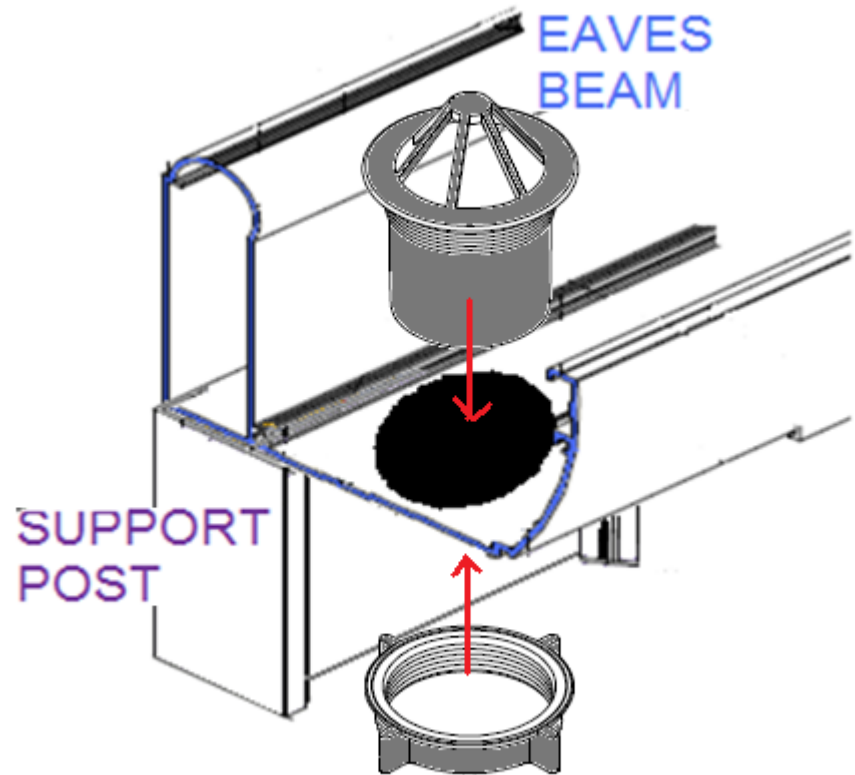
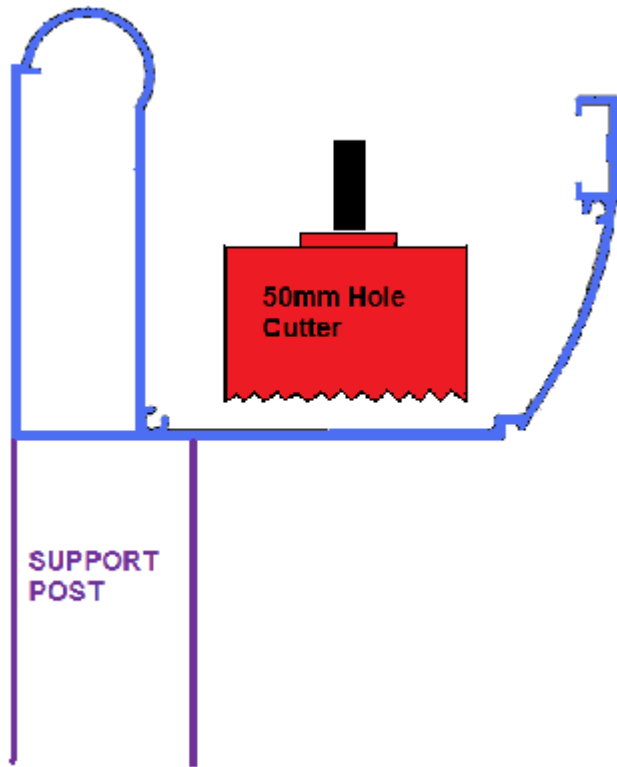
1, The **Eaves/Gutter** is supported by the **Support Posts** and is connected using the supplied connector.

Depending on the roof width/design, there could be any number of support posts included, the position for the supports will have been pre-prepped in the factory according to your quotation and posts supplied at the height as specified on your quotation.

2, Using **2 x 6.3mm x 38mm** & **2 x 6.3mm x 12.7mm Hex screws** provided per post, attach **Support Posts** to **Eaves/Gutter** as below to create a goalpost

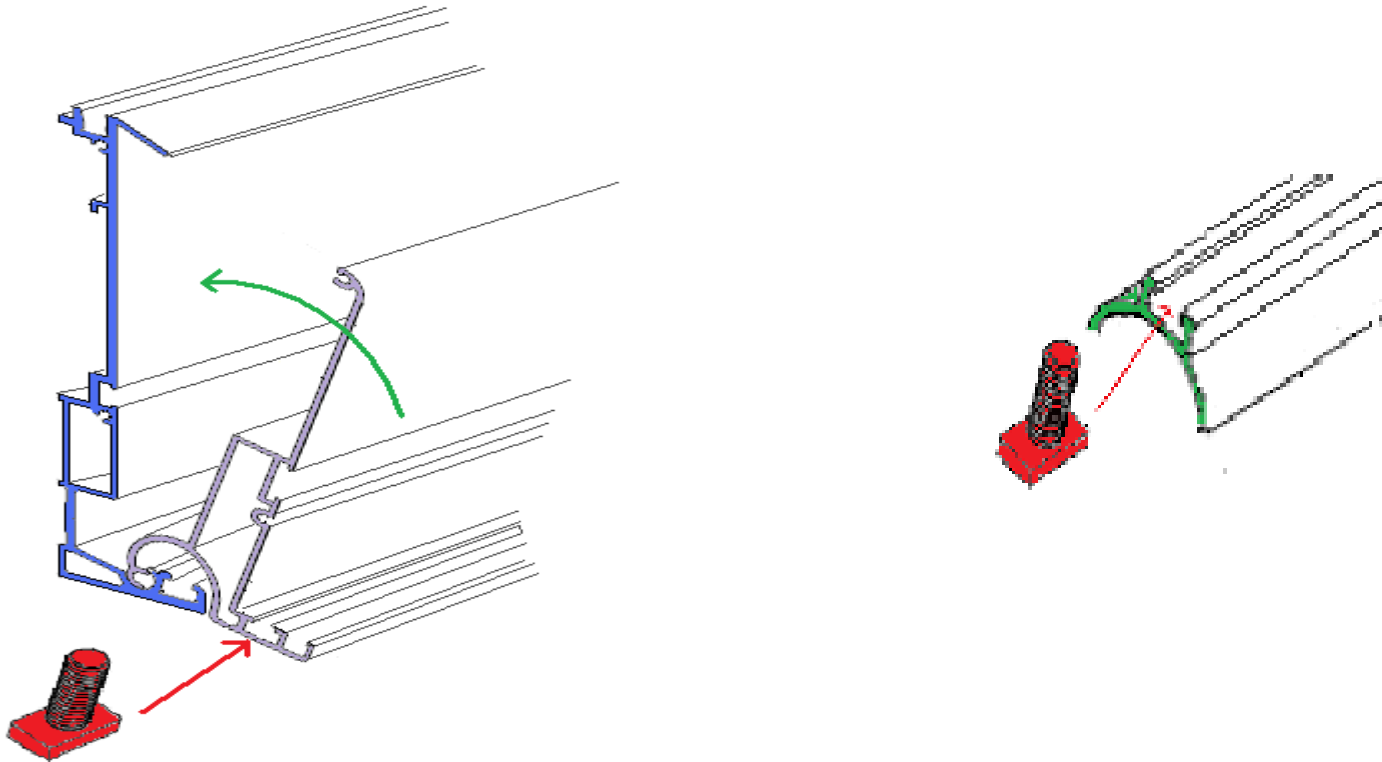


3, Now would be a suitable time to drill the 50mm Outlet hole in the bottom of the **Eaves Beam/Gutter** in a position to suit the **Support Post** you wish the water to run to ground, silicone seal and screw fit the **Gutter Outlet**



## END & INTERMEDIATE RAFTER INSTALLATION:-

1, Slide the applicable number of **M6x16mm** Rafter location bolts into both the **Variable Wallplate Support** and the **Eaves Rafter Support** = 1 for each **End Rafter**, 2 for each **Intermediate Rafter**.

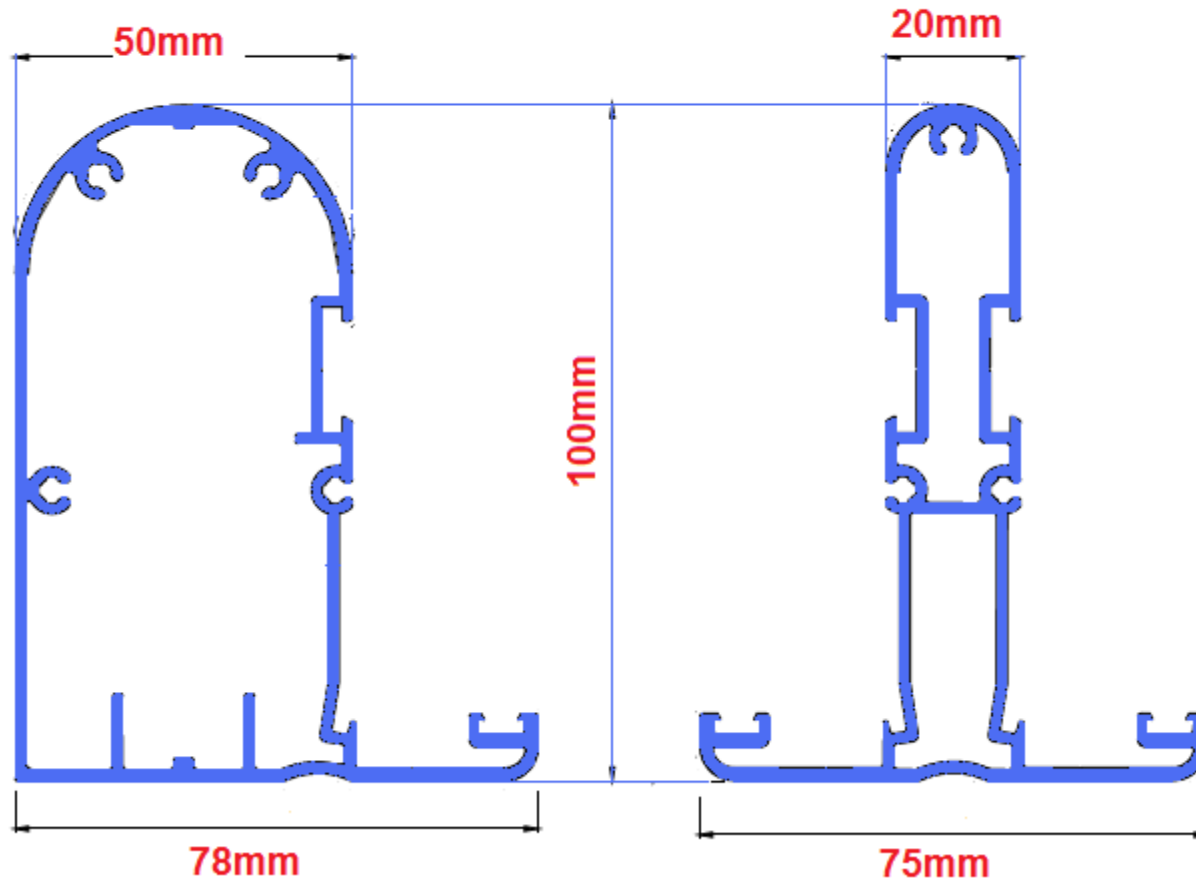


2, Tilt the Variable Rafter Support back into the Wallplate ready for Rafter installation.

3, There are 2 Rafter types, **End** & **Intermediate** as below:-

END RAFTER

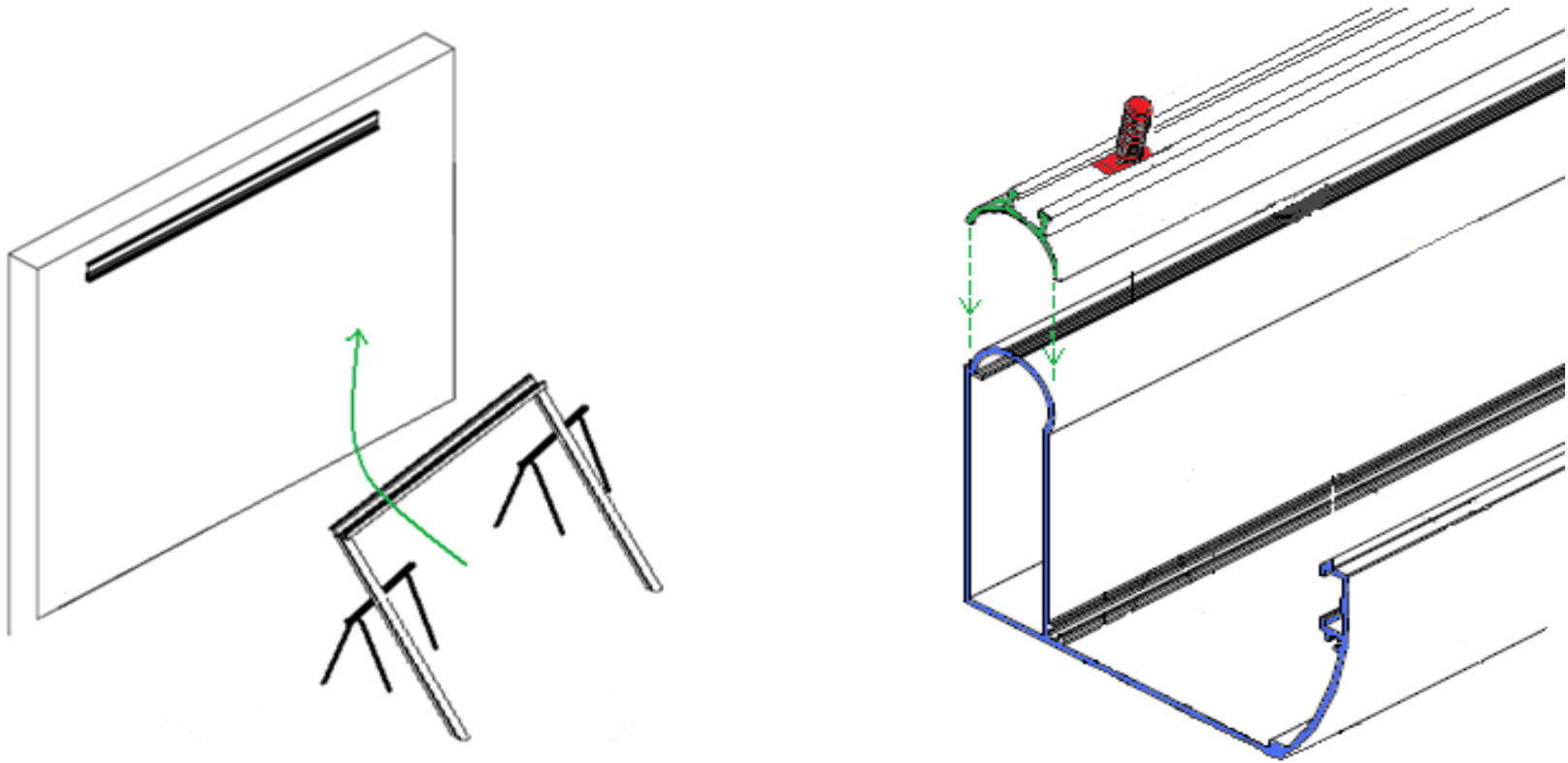
INTERMEDIATE RAFTER



## Attaching the Rafters is best done with assistance

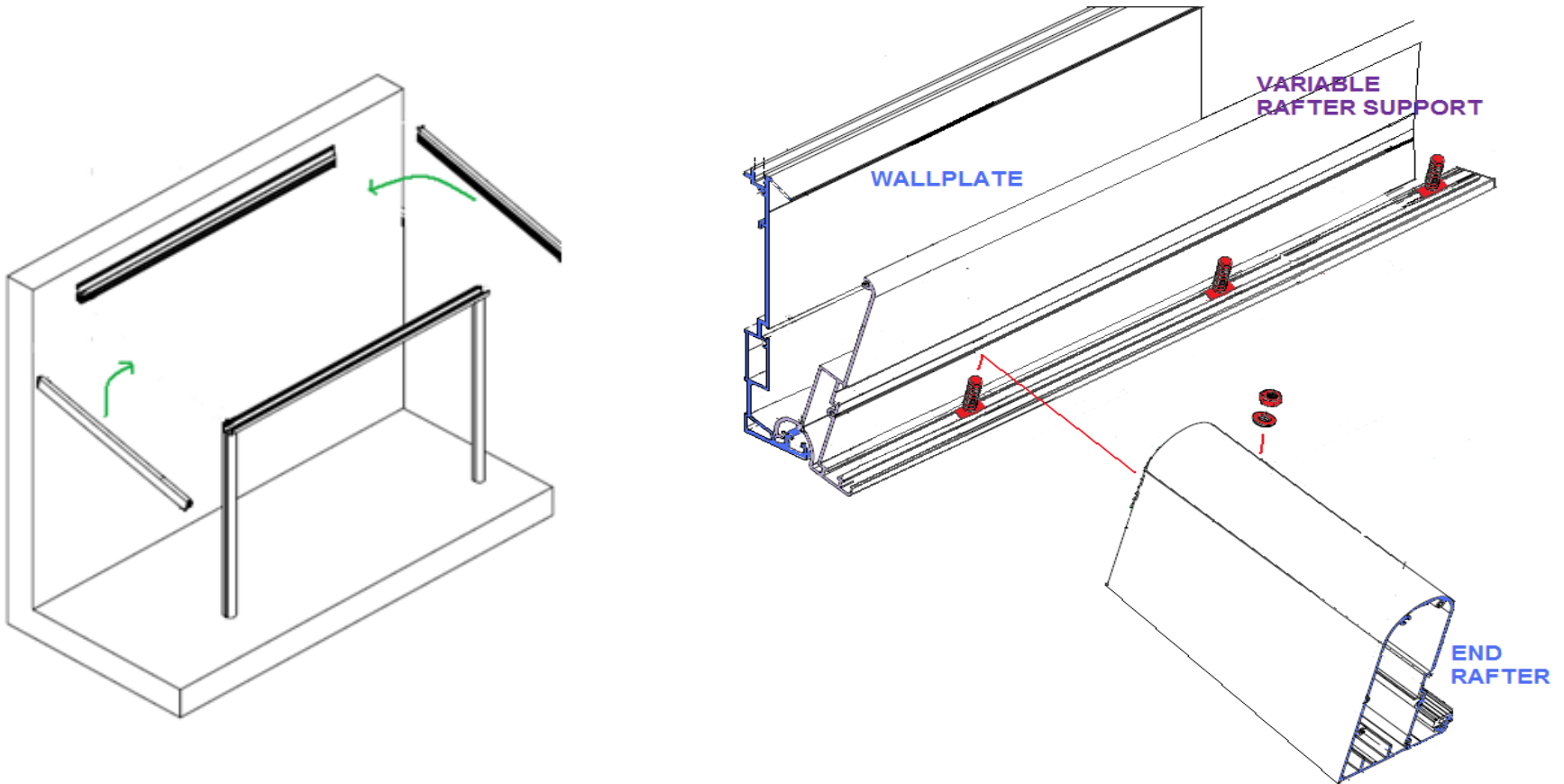
4, Whilst your assistants stand the Eaves/Post assembly vertical, rest the **Eaves Rafter Support** on top of the eaves Beam, then, offer each **End Rafter** up to **Variable Rafter Support**, slide & locate the **M6x16mm** bolt through the existing hole in the **End Rafter/s** and temporarily fit the washer and nut.

You can now rest these **End rafters** on top of the **Eaves Rafter Support**

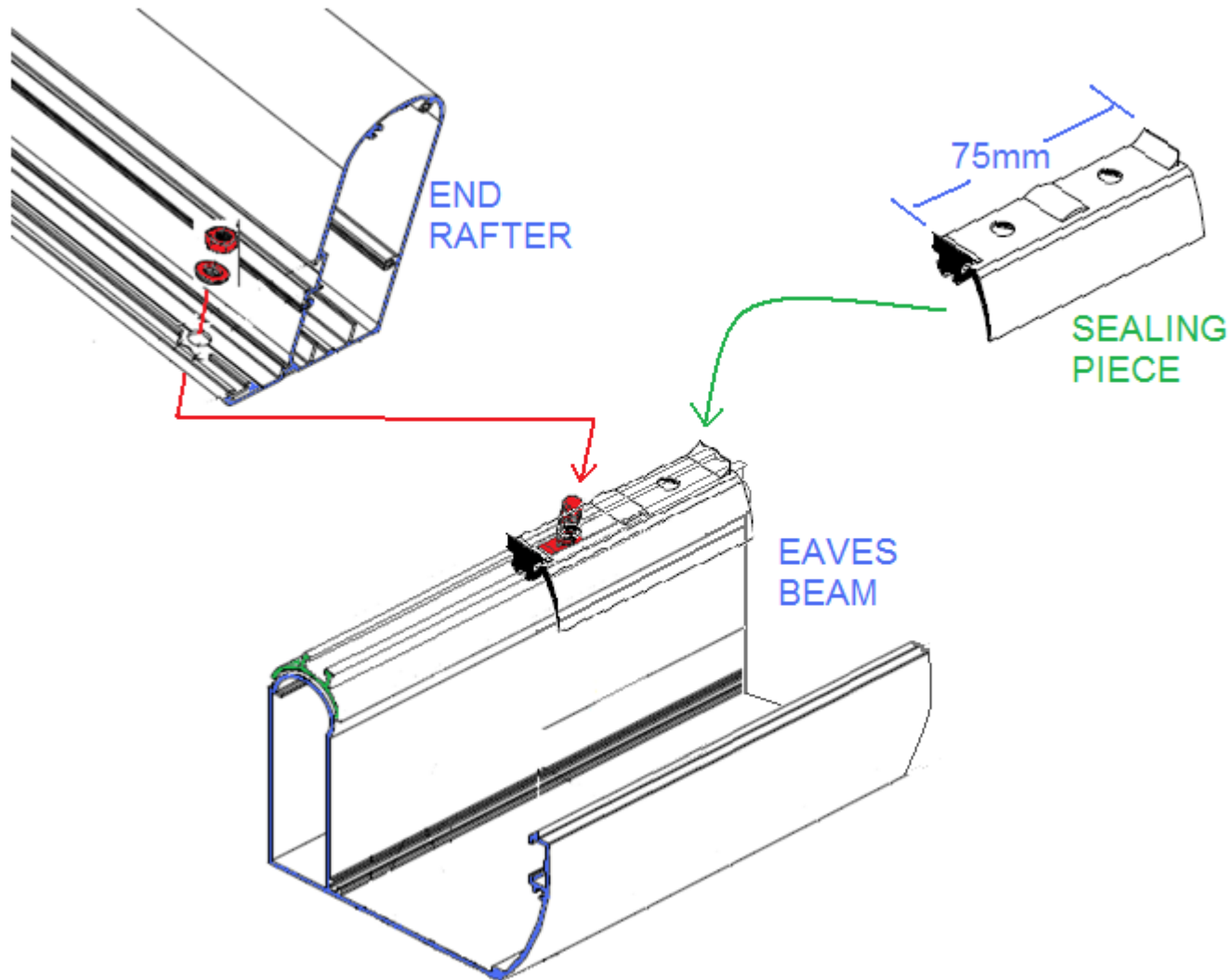


5, Offer each **End Rafter** up to **Variable Rafter Support**, slide & locate the **M6x16mm** bolt through the existing hole in the **End Rafter/s** and loosely fit the washer and nut.

You can now rest these **End rafters** on top of the **Eaves Rafter Support/Eaves Beam**,

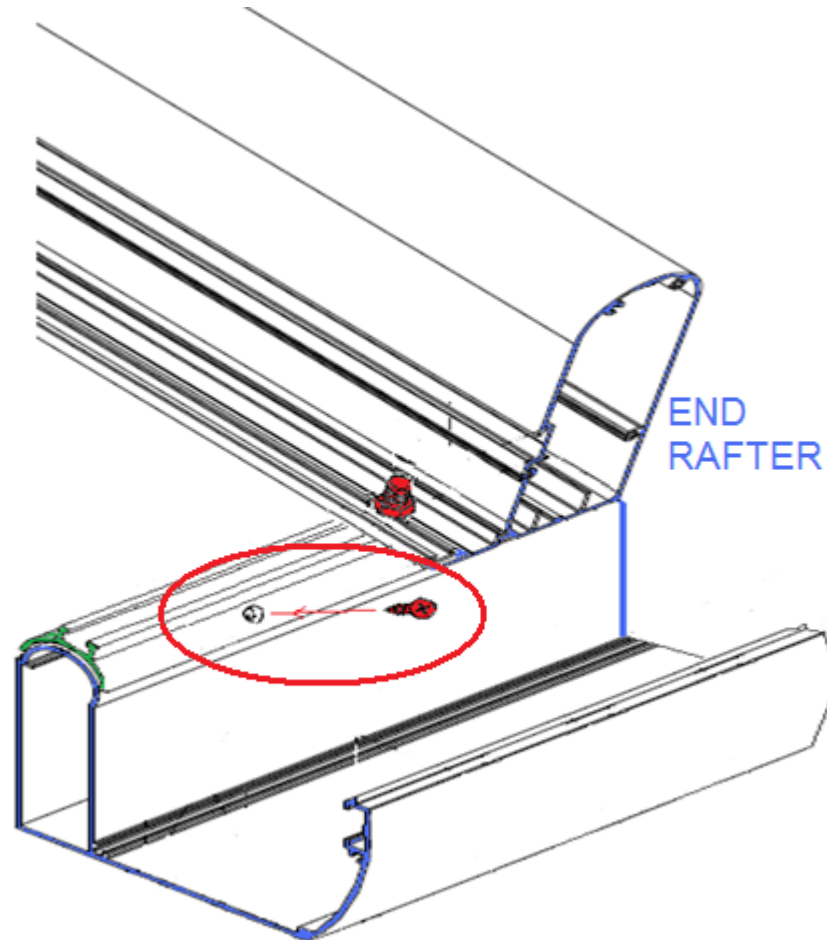


6, Lift the Eaves Beam end of End Rafters and locate the 75mm Sealing Piece on to M6x16mm bolt then locate the End Rafter in the same way as Wallplate end, and loosely fit the washer and nut, repeat with other End Rafter,





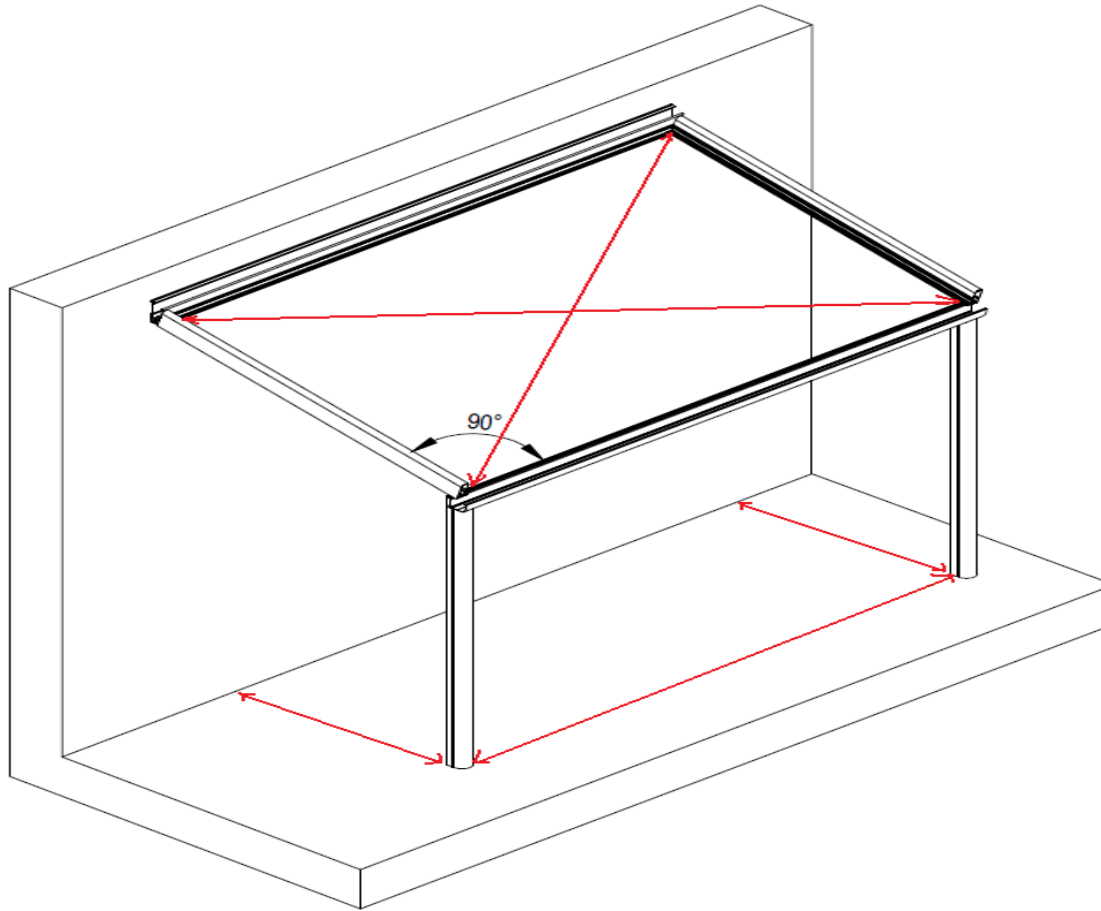
7, With the **Support Posts** vertical & plumb, the **End Rafters** have now set the pitch of the roof and the **Eaves Rafter Support** can now be pilot drilled with a 3.5 – 4mm HSS drill bit through the **Eaves Rafter Support** and **Eaves Beam**, then using the **4.2 x 16mm countersunk screws** (as below) fix at similar centres to the **Wallplate** fixings = 700mm (these screws will be covered by gasket later in the installation)



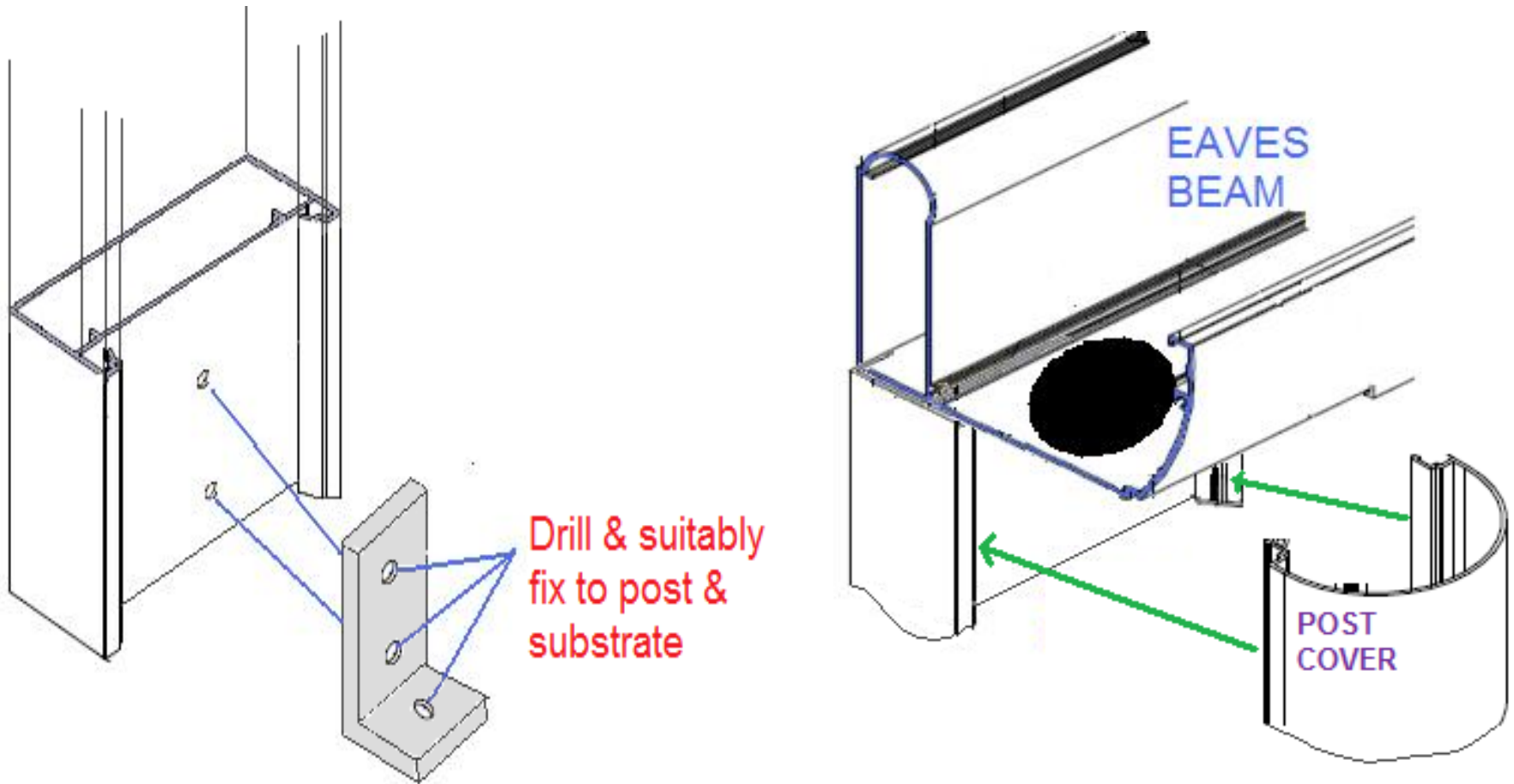
**8,** It is important at this stage to check:-

*a* – Diagonals of roof, using tape measure diagonally or set square in ALL 4 corners

*b* – Distance/Plumb of **Support Posts** using laser. Tape, or spirit level.

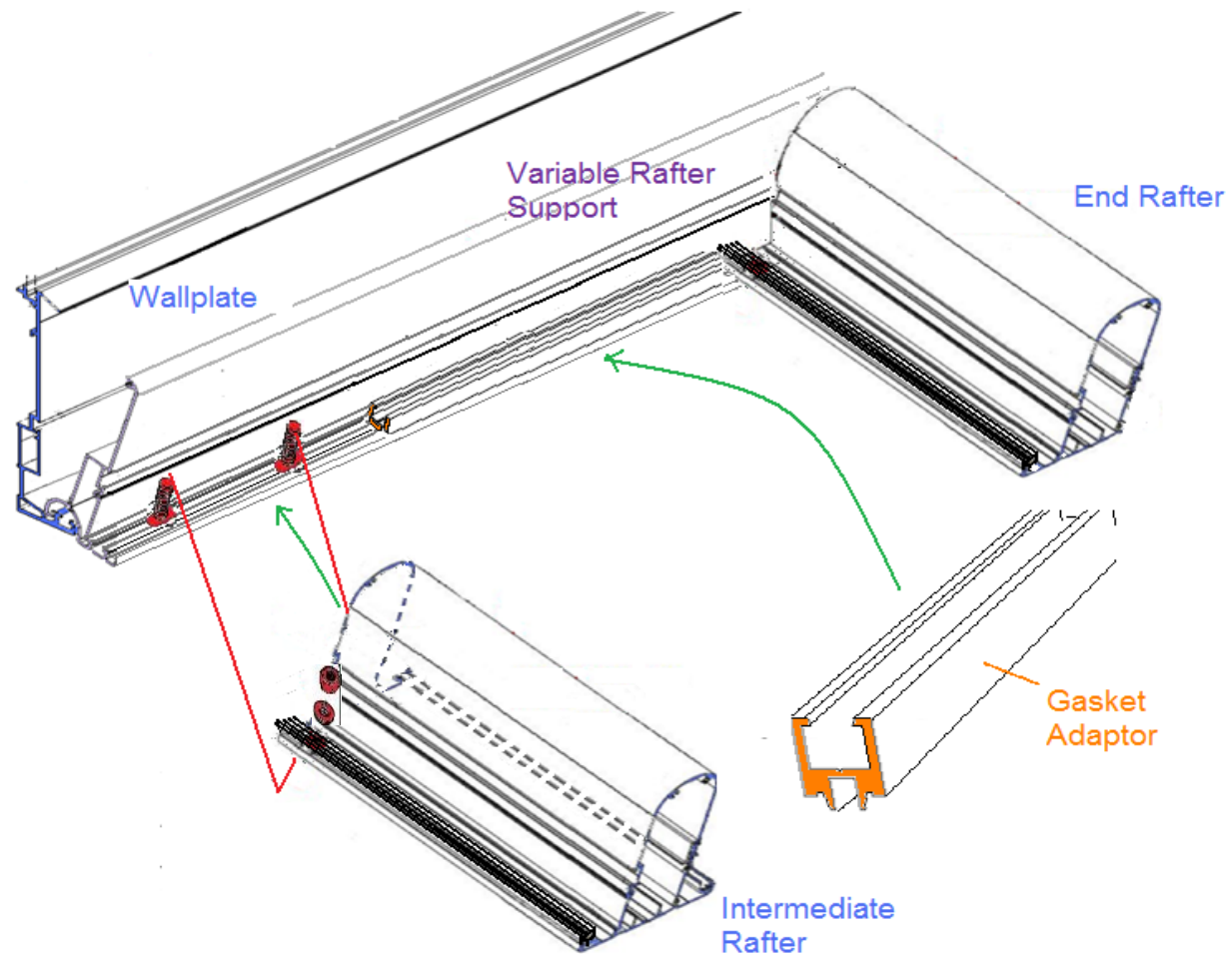


9, Once you are satisfied that the roof is square & true, and that the **Support Posts** are plumb, you can now tighten the nuts and washers on the **End Rafters**, then fix the **Support Posts** to your substrate using suitable fixings and the angled bracket provided , at this point, if suitable, you could attach your **Support Post covers** by clicking them into position,

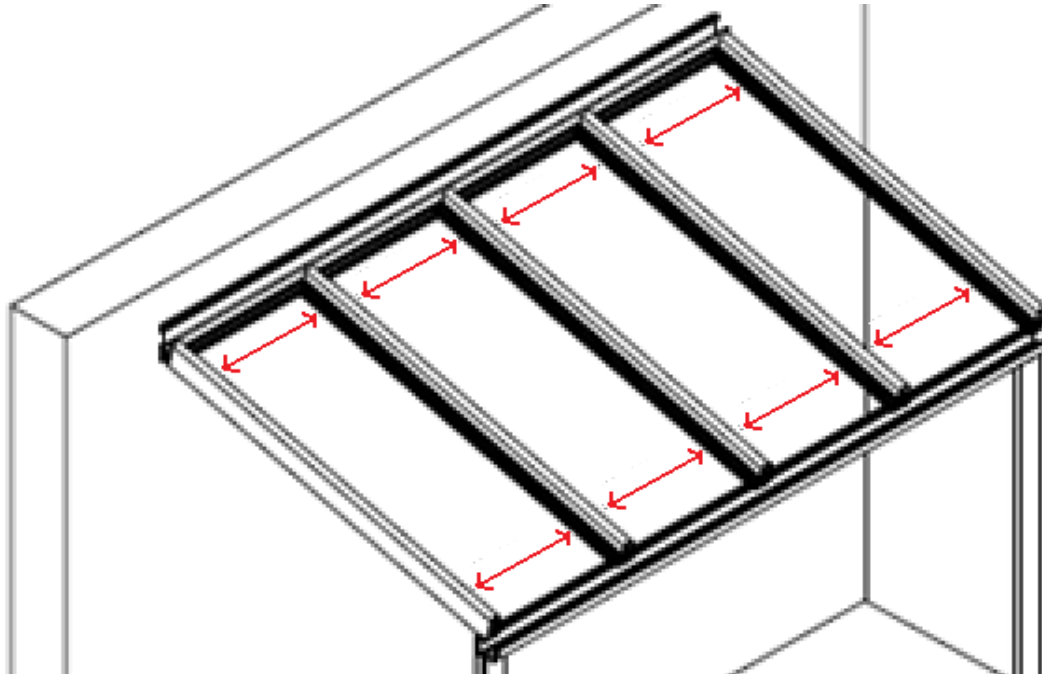


**10**, You can now install all the **Intermediate Rafters** in the same way as **End Rafters** but with 2 x **M6x16mm bolts** at each end of the rafter.

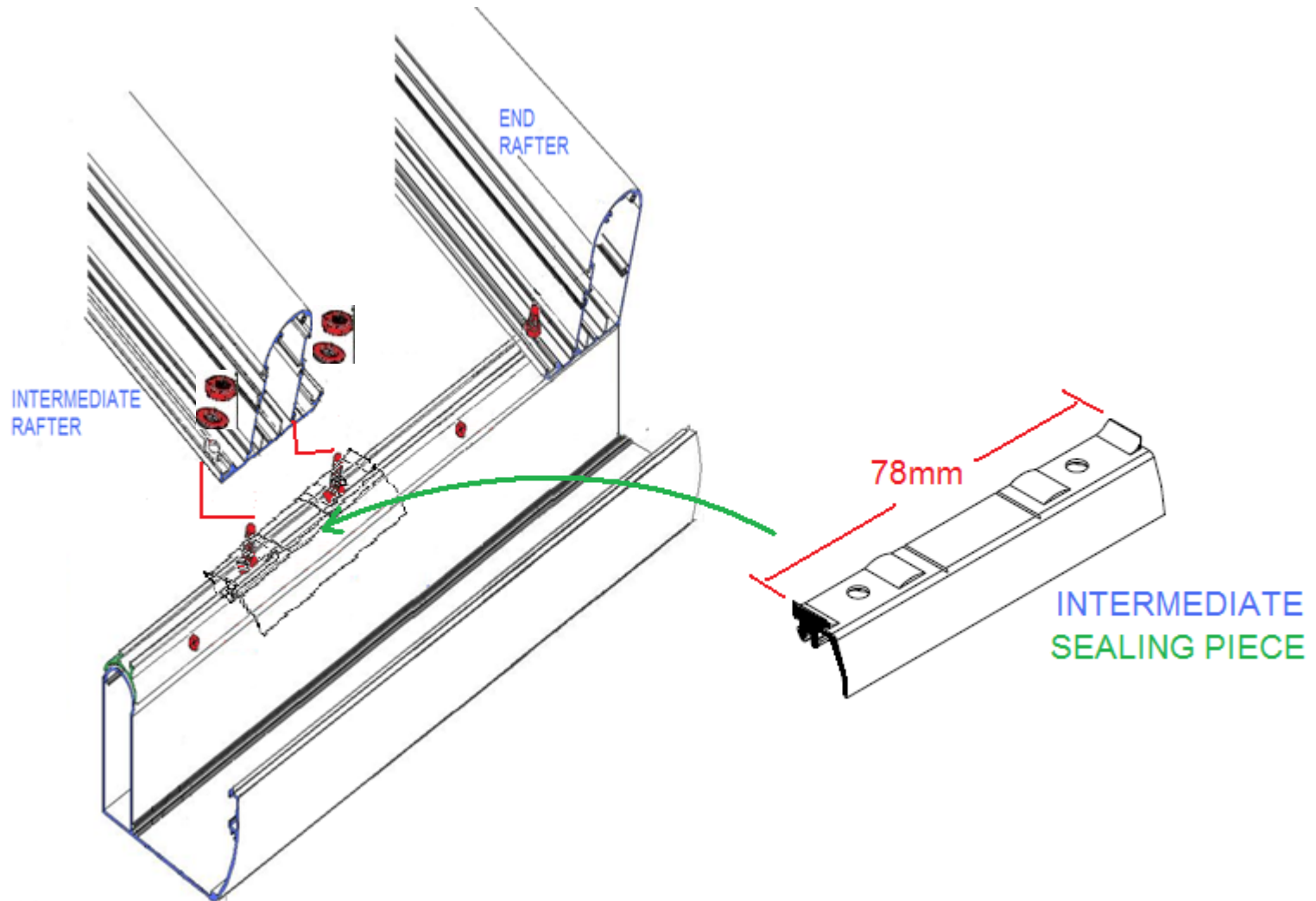
To define the spacing's of your **Intermediate Rafters** we have numbered the plastic **Gasket Adaptor** according to their position from left to right, clip the appropriate **Gasket Adaptor** in the channel shown below, tight up against the **End Rafter**, then slide the 2 x **M6x16mm bolts** into position to receive the **Intermediate Rafter** and tighten the washer and nut.



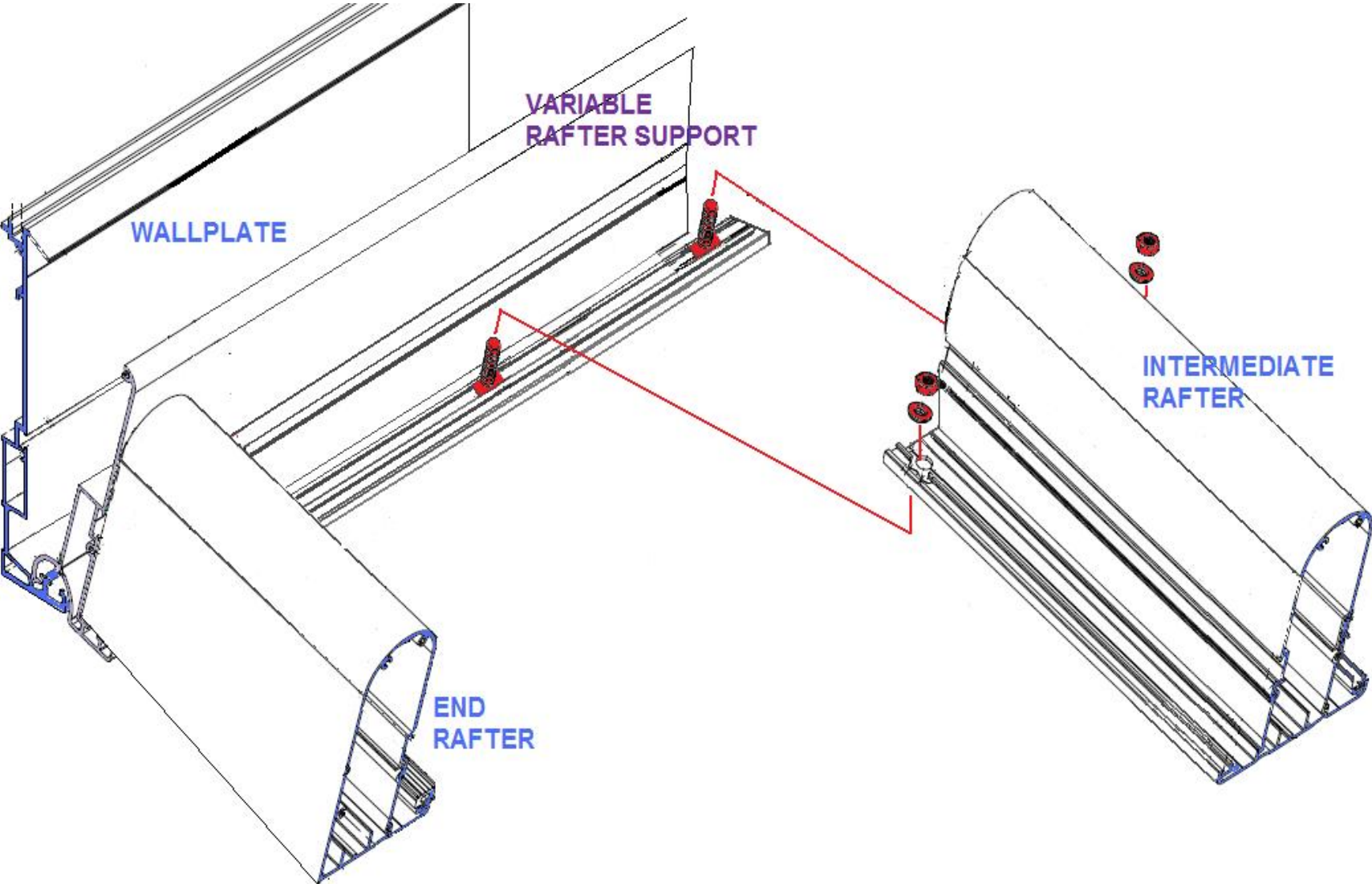
11, Using a tape measure to check that the width spacing is consistent each time from Rafter to Rafter, locate the **Intermediate Rafters** onto the suitably spaced **M6x16mm bolts**, then locate the **78mm Intermediate Sealing Piece** onto the suitably spaced **M6x16mm bolts** and locate the **Intermediate Rafter** onto the **M6x16mm bolts** and tighten down the nut and washers.



locate the **Intermediate Rafters** onto the suitably spaced **M6x16mm bolts**, then locate the **78mm Intermediate Sealing Piece** onto the suitably spaced **M6x16mm bolts** and locate the **Intermediate Rafter** onto the **M6x16mm bolts** and tighten down the nut and washers.

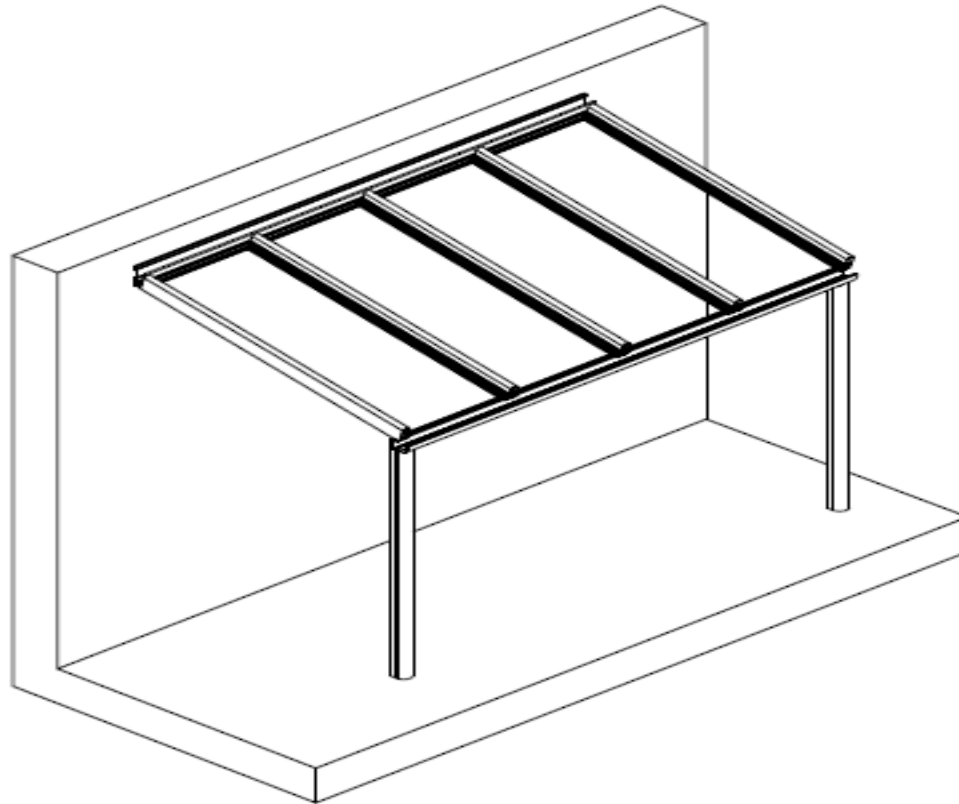


This process can be repeated until **ALL** the Intermediate Rafters are in place with **Gasket Support** in-between





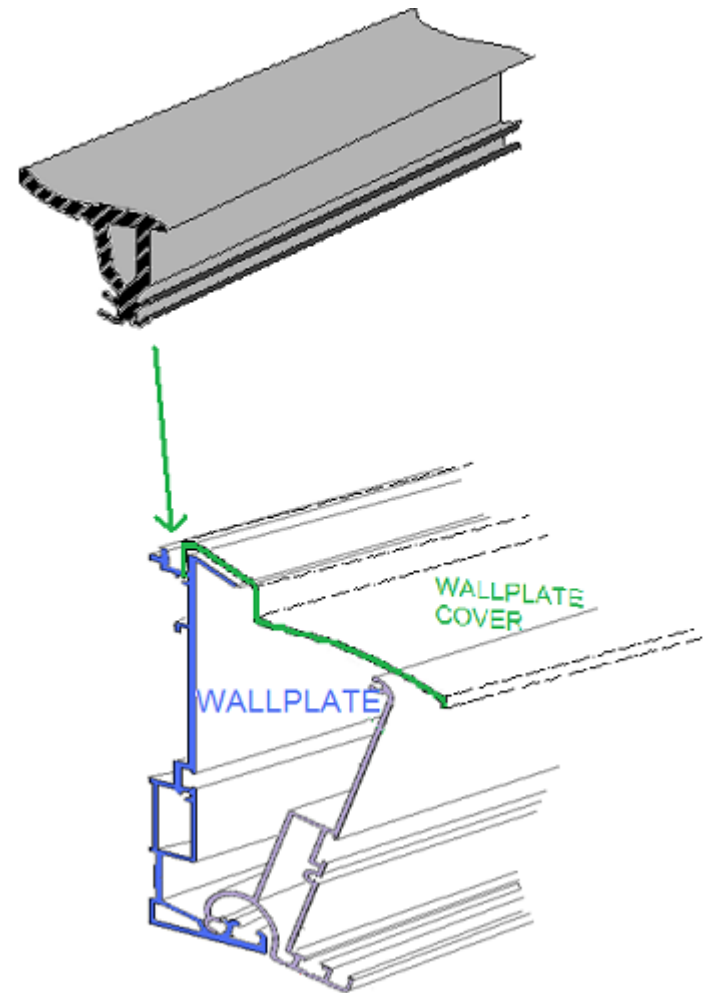
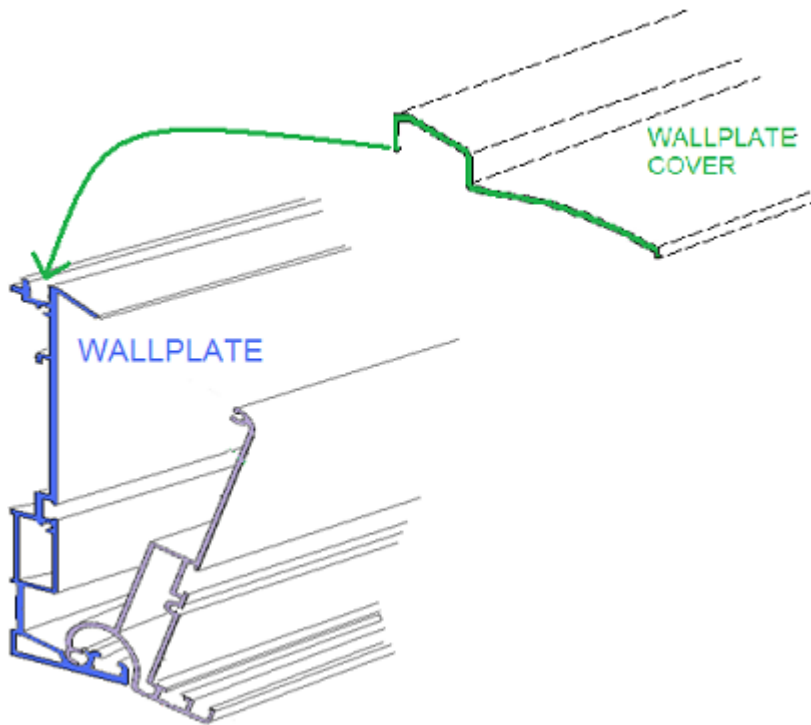
The result now should then be a skeleton roof structure that only then requires gaskets, parts & glazing to complete,



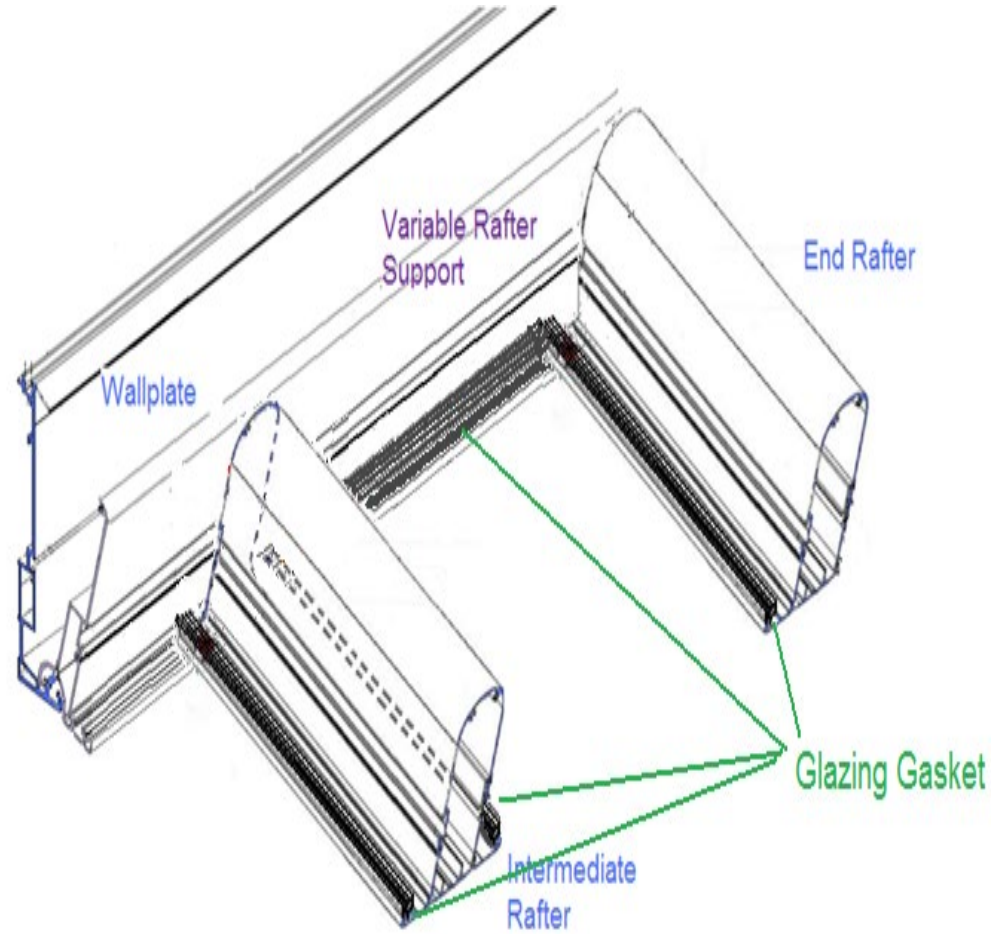
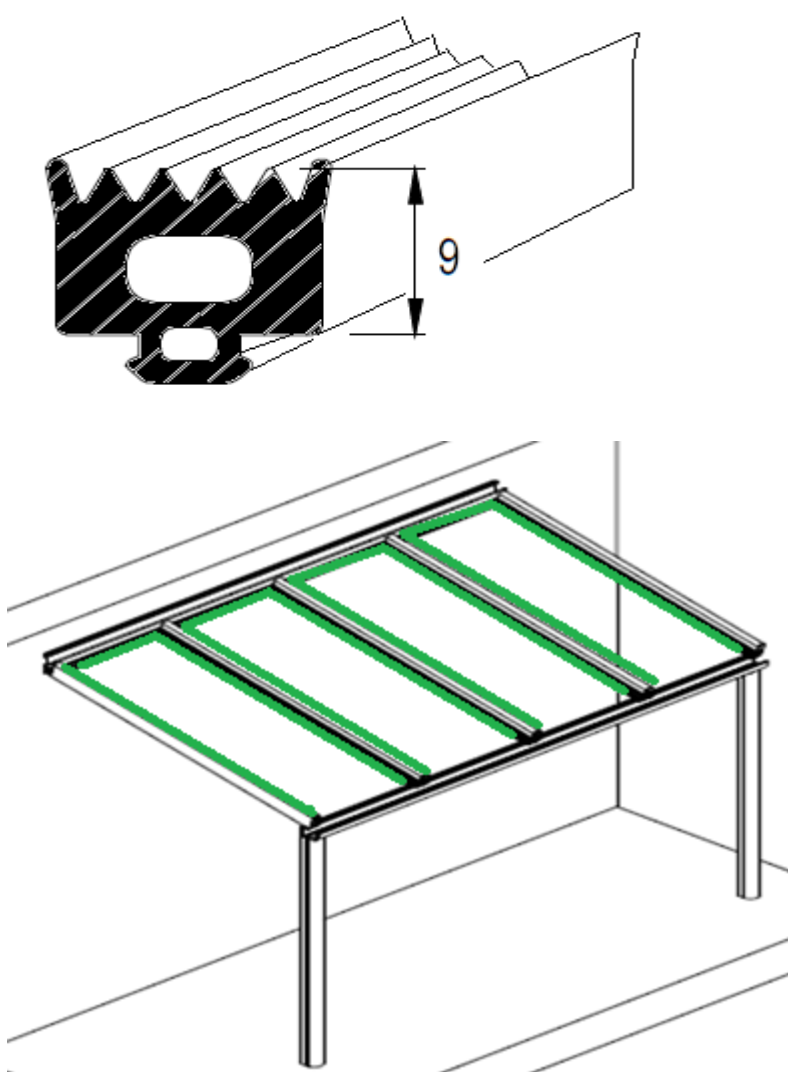


## Gaskets and Glazing:-

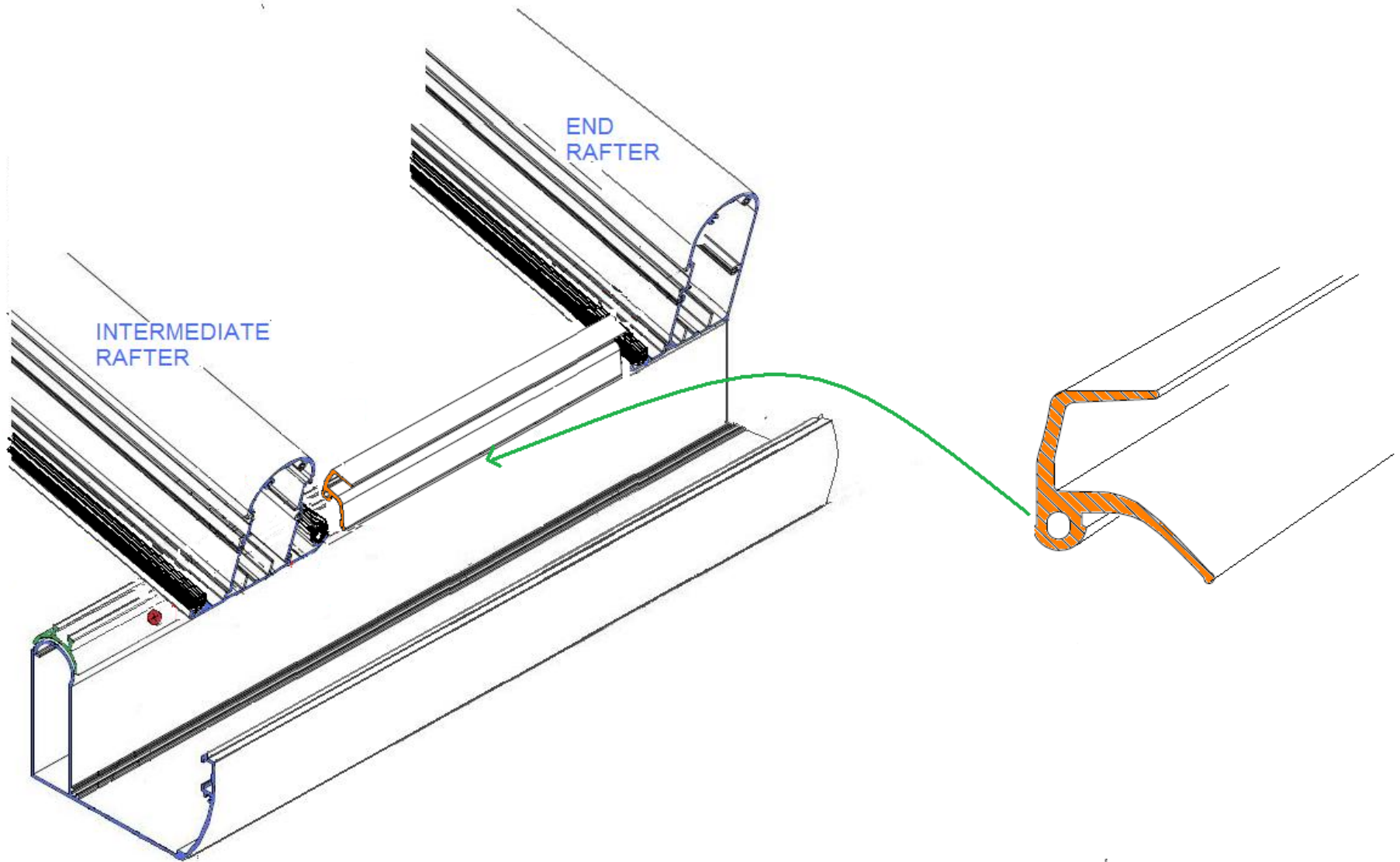
1, With ALL the Rafters tightened down securely, it is now time to install the **Wallplate Cover** into the top of the **Wallplate**, then **Wallplate Cover** gasket in same channel to hold **Cover** in place (cut to suit) ,



2, Next the **Glazing gaskets** need to be pressed into the **Variable Rafter Support Gasket Adaptor** at the correct length, the same glazing gasket is repeated down the sides of **End** and **Intermediate Rafters**



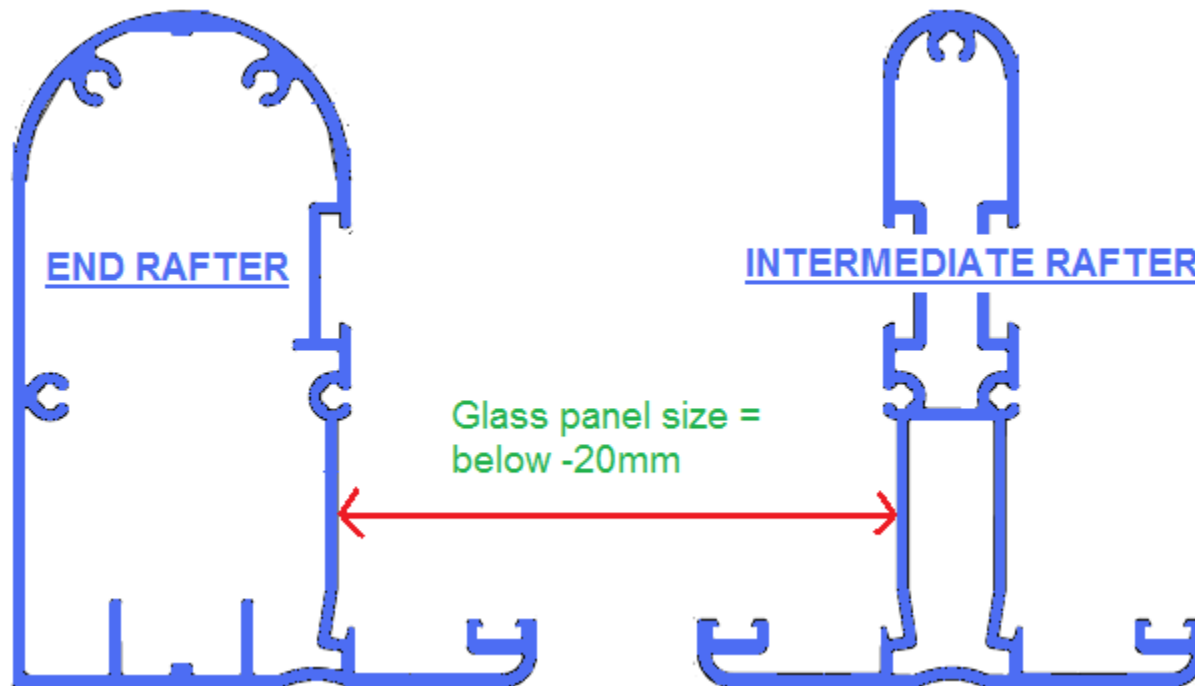
3, Now the Eaves Rafter Support Gasket needs pushing into the channel of the Eaves Rafter Support between each Rafter as shown below,



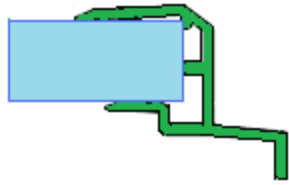
4, With the **Glazing gaskets** in place, it is now time to glaze each section. For this we advise the use of a suitable access platform and multiple people to assist.

When handling Glass it is advisable to wear appropriate personal protective equipment ,as often the Glass can be above your head.

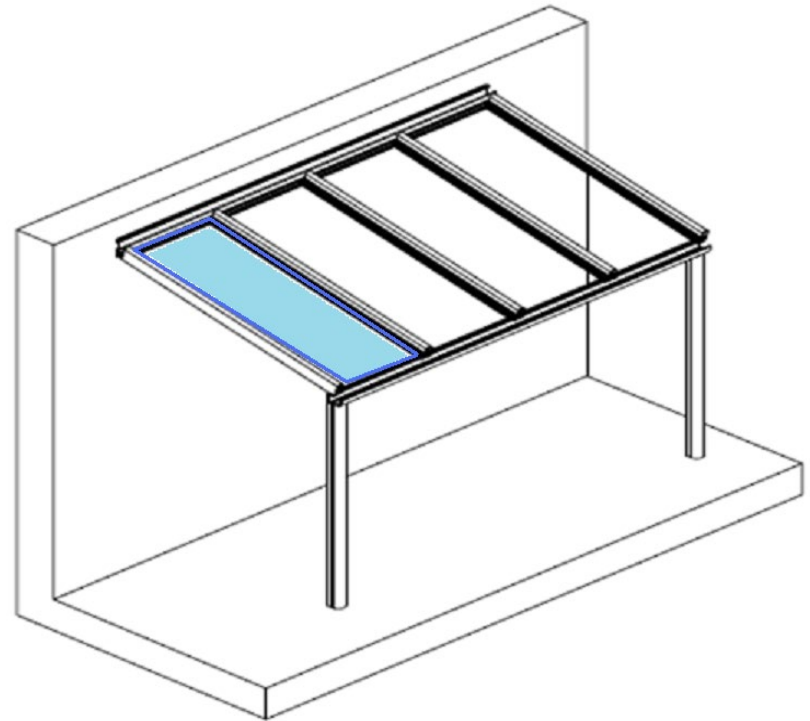
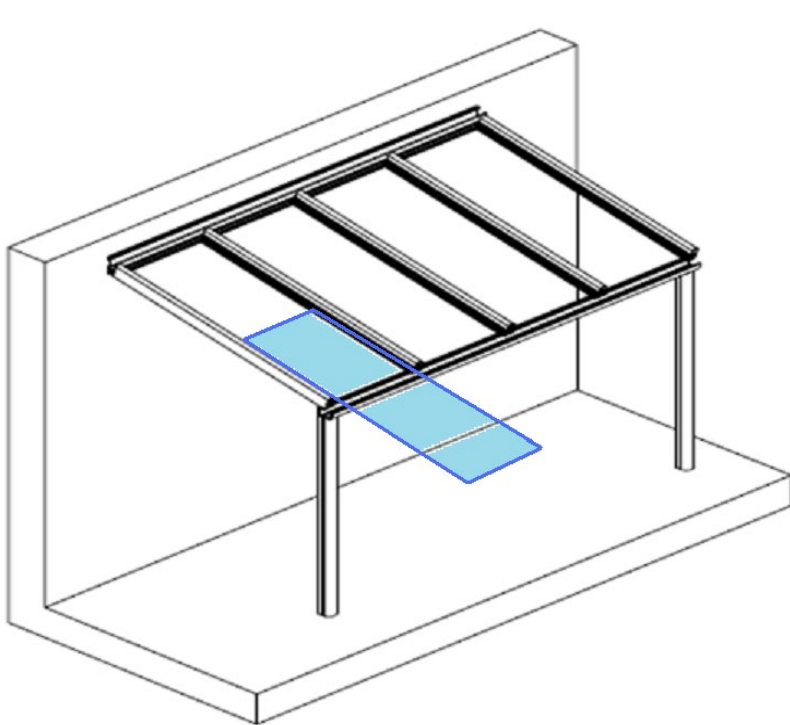
The Glass in the 2 end sections can often be a differing width than equal Intermediate sections so it is advisable to measure the width between each section then source the appropriate glass panel at roughly 20mm less in width



5, Once the appropriate glass panel has been sourced, it is advisable to fit the **Glass Panel End Drip** profiles, these profiles have been cut to size and clip over the end of each **Glass Panel**,



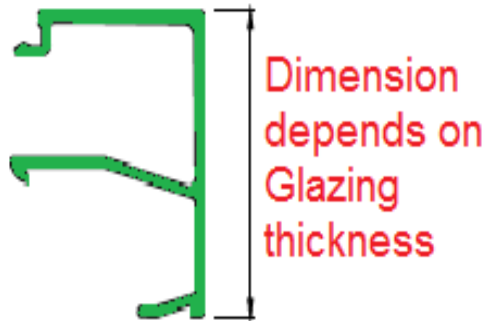
Lift the **Glass Panel** over the **Eaves Beam** and partway up the **Rafters** until self supported, then, move the Glass panel up and onto the **Variable rafter Support Glazing gasket**, the glass panel then should be level with the end of the **Rafter**.



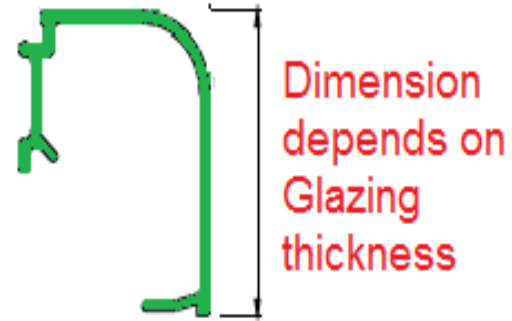
6, With the glass panel in place it is advisable to install the Glazing Beads and Secondary Glazing Gasket.

The glazing bead for the **Variable Rafter Support** is different from the beads for the **End & Intermediate Rafters** as below,

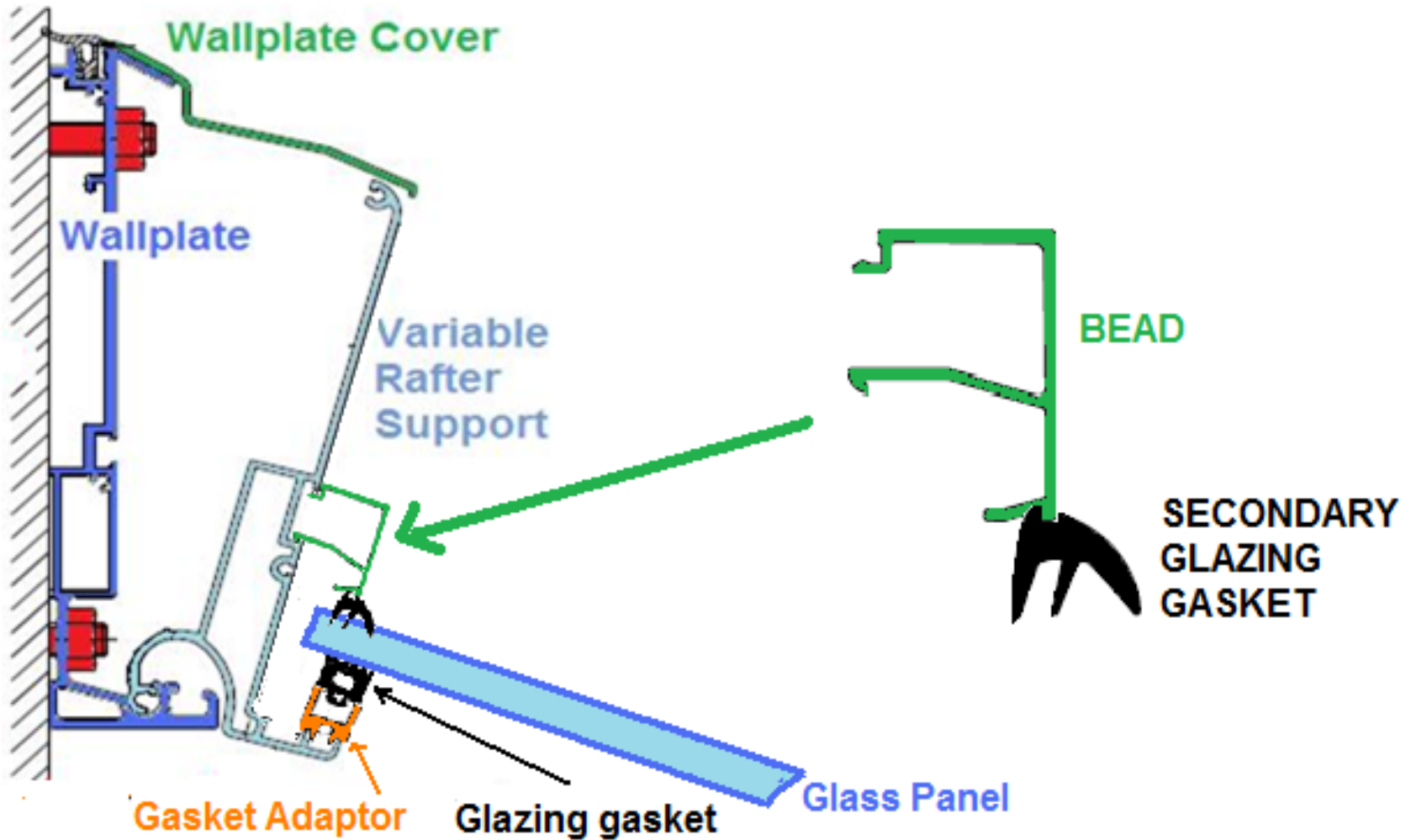
Variable Rafter Support  
BEAD



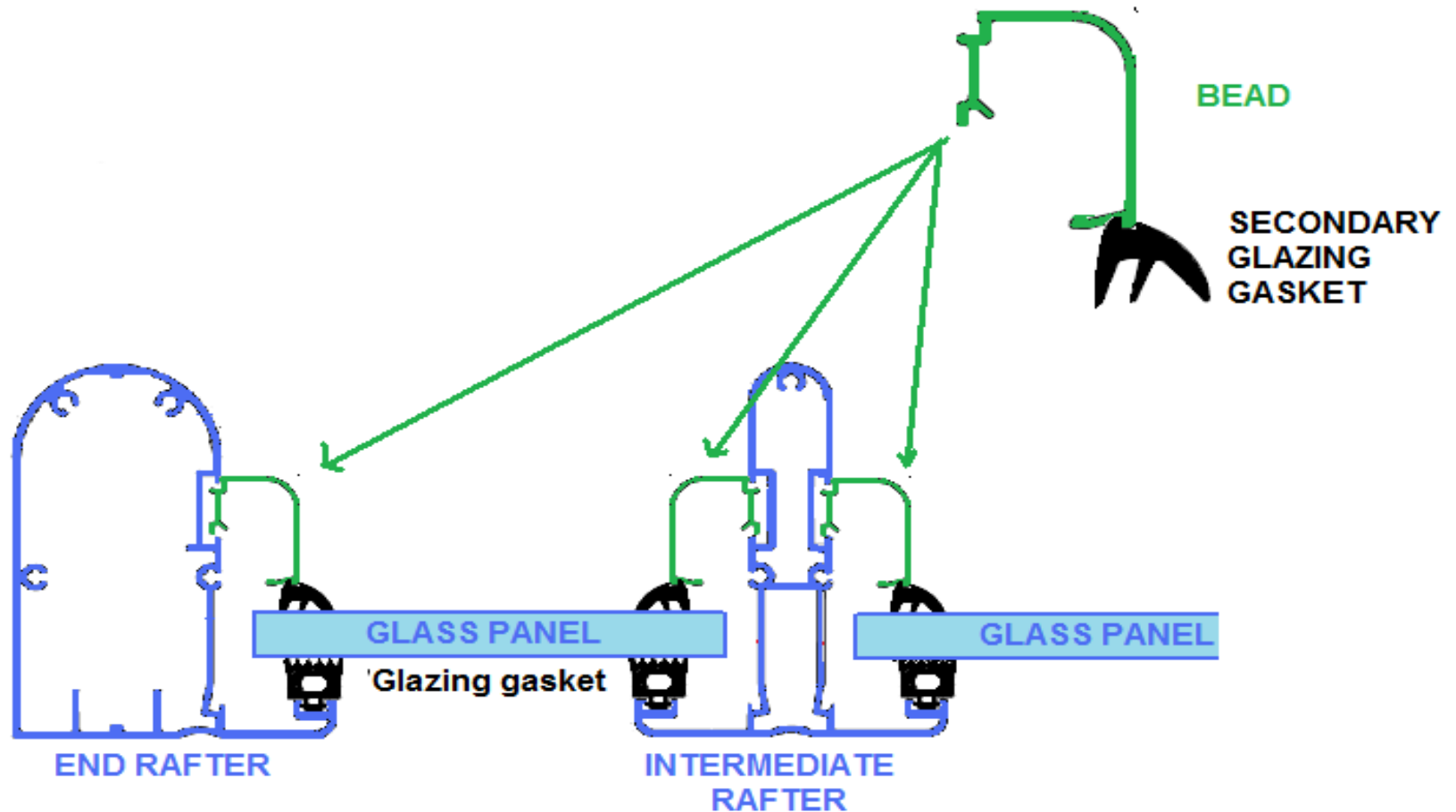
End & Intermediate Rafter  
BEAD



7, Clip the **Variable Rafter Support Bead** into the channel as shown, then gasket with appropriate secondary Glazing gasket as below,



8, Clip the **End & Intermediate Rafter Bead** into channel as shown below, then gasket with the appropriate Secondary **Glazing gasket** as below,

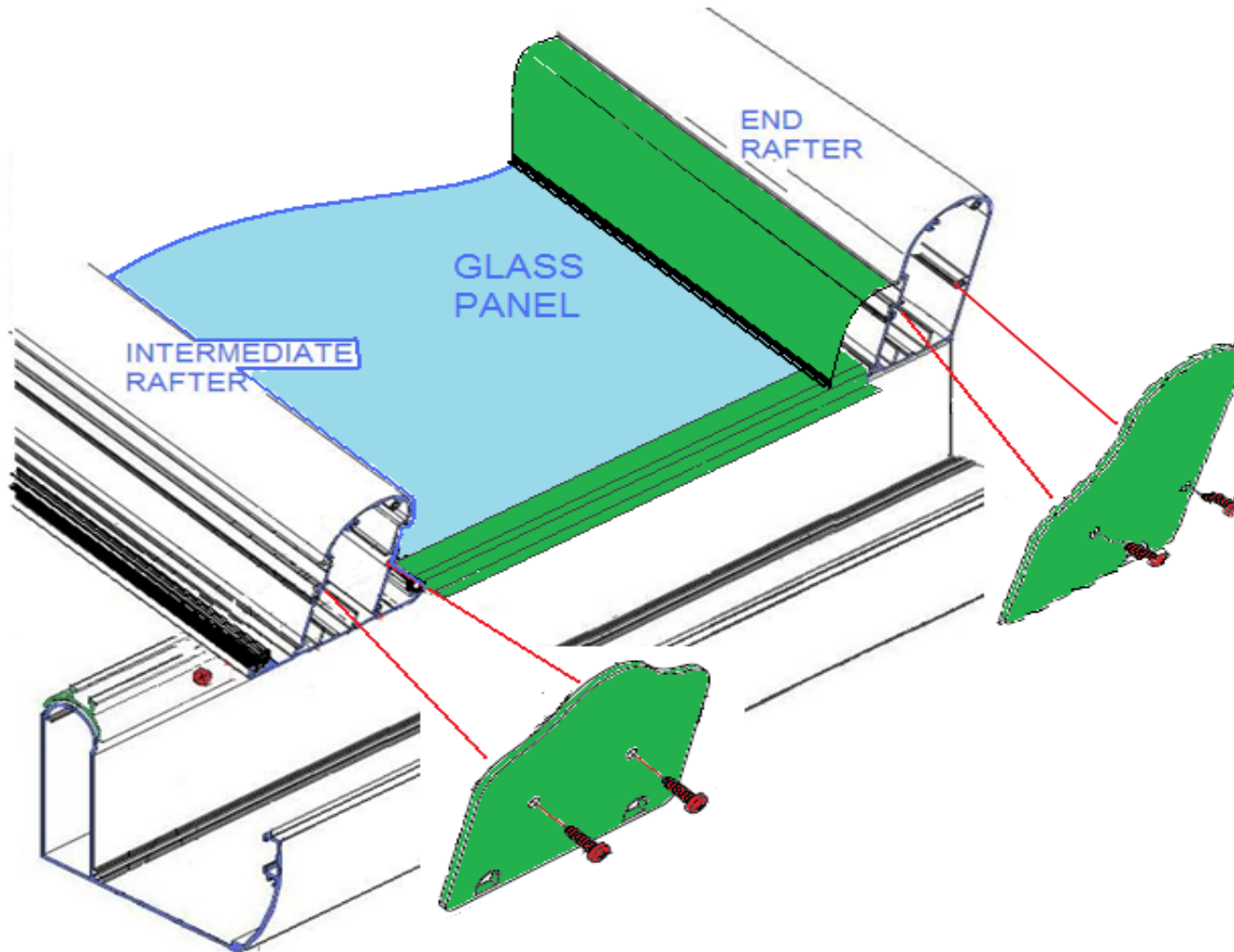


9, Repeat steps 5, 6, 7, & 8 until all Glass panels, beads & gaskets are in place

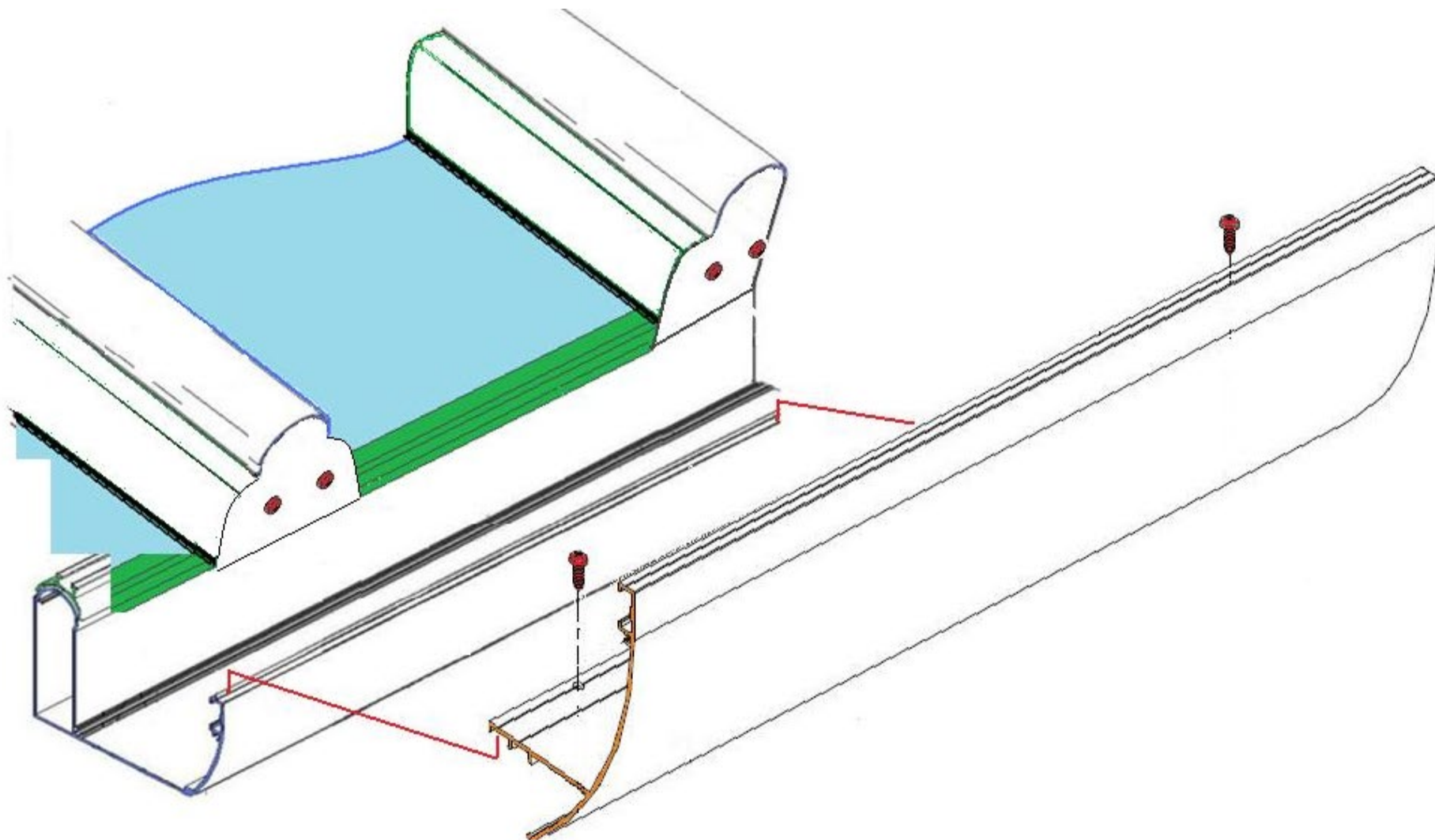


## Finishing Off – Parts and accessories:-

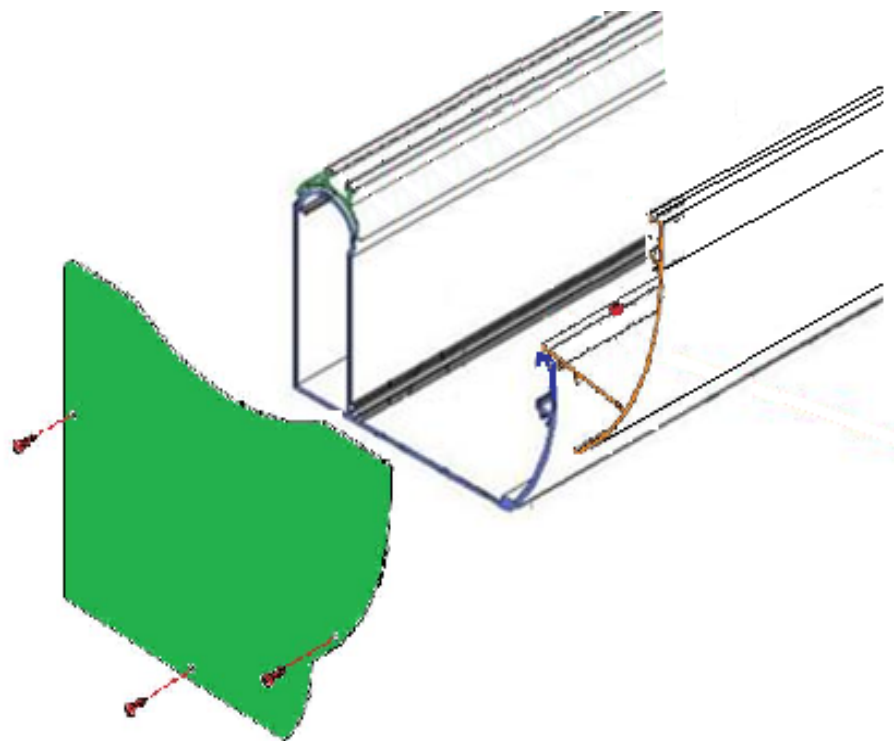
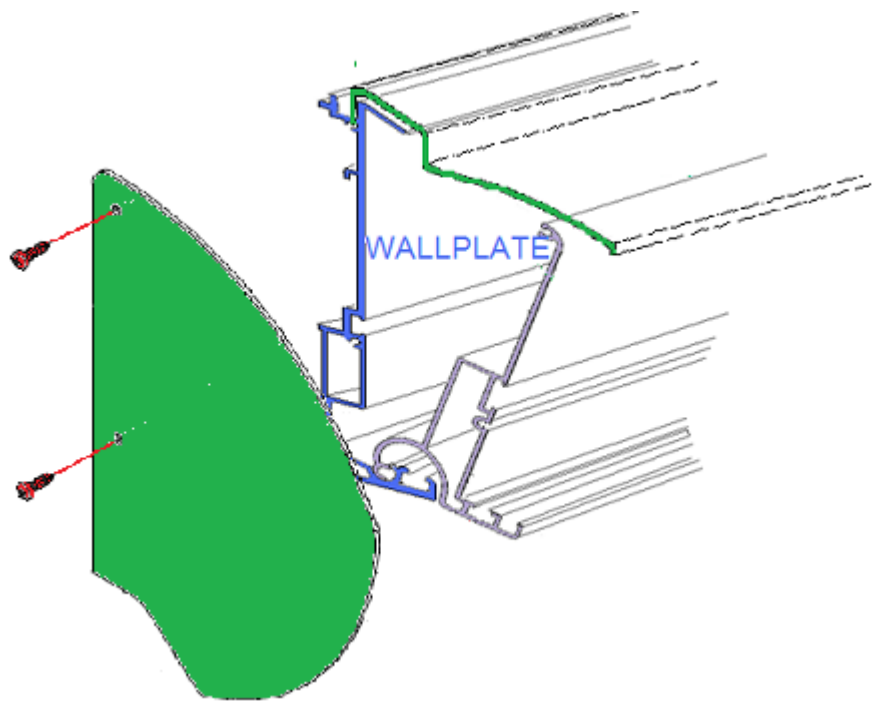
1, Fit the **Rafter End** caps to **Intermediate** & **End Rafters** to prevent the glass Panels from slipping down the roof, these are attached using **4.2 x 16mm Cap Head screws** provided.



2, The **Eaves Beam Gutter Extension** requires fitting next, to do this, pilot drill @ 700mm centres, and using **4.2 x 16mm Cap Head screws**, attach to top edge of **Eaves Beam** gutter section



3, Next locate and silicone seal both **Wallplate End caps & Eaves Beam End Caps** using **4.2 x 16mm Cap Head screws** provided



You should now have completed the installation of your PR100 outside roof, should any parts be missing or damaged, or should you have any problems or issues of any kind, please do not hesitate to contact our Customer Service team on 0203 167 0445